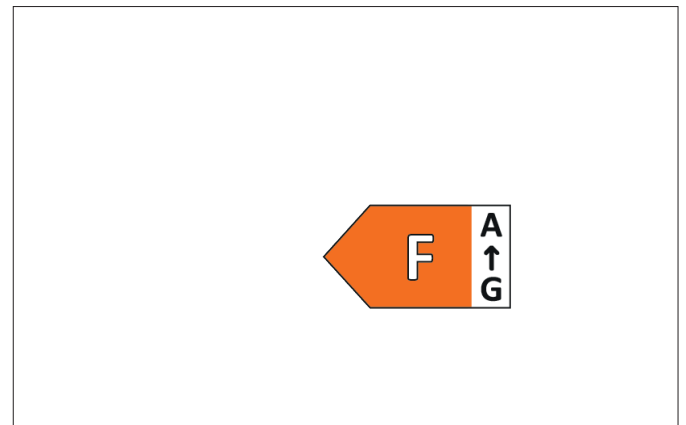
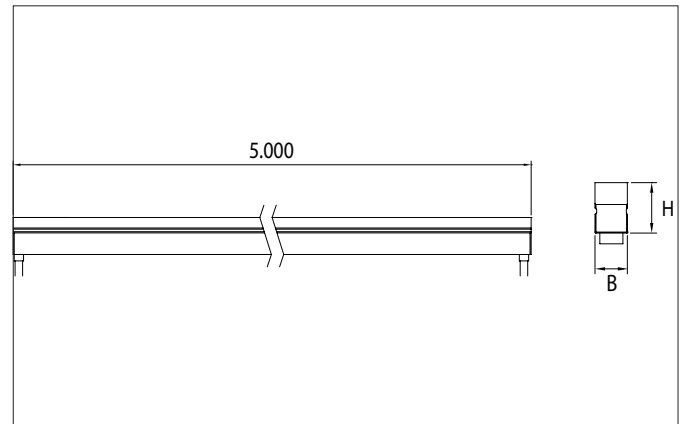


QUALITYFLEX Protection Horizon LED flex lighting 5 m, Tunable-White, CRI > 90, 16 W / m, IP67
Article no. 19592004

Light.
For Generations.



Tender

LED flex lighting 5 m, TunableWhite, CRI > 90, 16 W / m, IP67, tunablewhite, 6.500K-2.000K, CRI > 90. LED flex lighting Length: 5000.0 mm
Lamp power per meter: 16.0 W/m, Degree of protection: IP67, Protection class: III, Voltage: 24V DC, Beam angle: 120.0 °, 240 LEDs per meter, Chip distance (Short Pitch) : 4,17mm. For individual application, the LED flex board can be used all 50 mm be cut back. If the LED flex board is shortened, the IP protection must be restored by the customer. The maximum system length of 5.000mm must not be exceeded with one feed-in.

Product Benefits

- Suitable for indoor and outdoor applications (IP67).
- Divisible every 50 mm (IP65 protection).
- Ideal for terraces, facades and pool areas.
- Color temperature: 2000 K to 6500 K.
- Lifetime L80/B10: 36,000 hours.
- Easy installation with matching aluminum profiles or mounting clips.
- Dimmable with appropriate accessories.

QUALITYFLEX Protection Horizon LED flex lighting 5 m, Tunable-White, CRI > 90, 16 W / m, IP67

Article no. 19592004

Light.
For Generations.

Article data	
Article no.	19592004
GTIN	4251433971252
Series name	QUALITYFLEX Protection Horizon
Short description	LED flex lighting 5 m, TunableWhite, CRI > 90, 16 W / m, IP67
Colour	TunableWhite
Length	5,000 mm
Width	12 mm
Height	20 mm
Scope of delivery	incl. 1 x mounting instructions, 5 x identification labels
Weight	16.400 kg
Length of the connection line	1,000 mm

Lighting technology	
Colour temperature	2.000 K - 6.500 K
Light colour	White
Color Temperature 1	2,000 K
Color Temperature 2	6,500 K
Luminous flux 1	165 lm/m
Luminous flux 2	211 lm/m
System efficiency	16 lm/W
McAdam-Step	McAdam-Step 3
Colour rendering	CRI > 90
Beam angle	120°
Adjustable color temperature	Infinite control

Operating technology of the luminaire	
Lamp power per meter	16 W/m
Voltage type	DC
DC nominal voltage max	24 V
Lamp	LED
Protection class	III
Degree of protection	IP67
Ambient temperature	-20 °C up to +40 °C
Dimmable	Yes
Wire number	3
Control	Depending on driver
Length of the connection line	1,000 mm
Kabelbelegung	brown (+) yellow - ww white - cw
Design of the connecting cable	one-sided
Bulb change possible	No
Rated life time L70/B50 at 25 °C	54,000 h
Rated life time L80/B10 at 25 °C	36.000 h
Energy efficiency class	F

Operating technology of QualityFlex	
Power per meter	16 W/m
Short Pitch	4.17 mm
Number of lamps per meter	240 Qty
Length of individual sections	50 mm
Smallest bend radius	120 mm
Length	5,000 mm
Maximum module length	5,000 mm
Circuit type	Parallel conduction
LED Type	3014 LED

QUALITYFLEX Protection Horizon LED flex lighting 5 m, Tunable-White, CRI > 90, 16 W / m, IP67

Article no. 19592004

Light.
For Generations.

Packing data	
Gross weight	17.8 kg
Length of packaging	400 mm
Packaging width	400 mm
Packaging height	35 mm
Disposal at end of life	This product must not be disposed of with household waste. You are obliged, to dispose of such electrical waste separately. By disposing of electrical waste and other old or defective electronics separately, you support recycling or other forms of re-use. In that way you help to take care and to avoid that harmful substances get into the environment.

Compatible Driver						
Article no.	Power min	Power	Control	Length	Width	Height
17206000	1 W	20 W	1-10 V	146 mm	55 mm	19 mm
17207000	1 W	30 W	on/off	160 mm	50 mm	22 mm
17214000	1 W	7.2 W	on/off	68 mm	35 mm	21 mm
17223000	1 W	75 W	on/off	185 mm	60 mm	31 mm
17224000	1 W	100 W	on/off	199 mm	63 mm	36 mm
17225000	1 W	150 W	on/off	219 mm	63 mm	36 mm
17226000	1 W	240 W	on/off	244 mm	71 mm	38 mm
17227000	1 W	320 W	on/off	252 mm	90 mm	44 mm
17228000	1 W	480 W	on/off	262 mm	125 mm	44 mm
17240000		20 W	on/off	150 mm	40 mm	30 mm
17241000		40 W	on/off	210 mm	40 mm	30 mm
17242000		60 W	on/off	250 mm	40 mm	30 mm
17243000		120 W	on/off	300 mm	40 mm	30 mm
17244000		150 W	on/off	310 mm	40 mm	30 mm
17260000	1 W	150 W	on/off	105 mm	90 mm	59 mm

Compatible Controller						
Article no.	Power min	Power	Control	Length	Width	Height
18151000	1 W	240 W	KNX	170 mm	59 mm	30 mm
18152000	1 W	240 W	DALI-DT6	170 mm	59 mm	30 mm
18153000	1 W	240 W	DMX	170 mm	59 mm	30 mm
18154000	1 W	240 W	1-10 V	170 mm	59 mm	30 mm
18155000	1 W	240 W	DALI-2	170 mm	59 mm	30 mm
18156000			1-10 V	167 mm	51 mm	23 mm
18157000	48 W	240 W	ZigBee	145 mm	46.5 mm	16 mm
18161000	1 W	240 W	KNX	72 mm	90 mm	70 mm
18162000	1 W	240 W	DALI-DT6	54 mm	110 mm	66 mm
18164000	1 W	240 W	1-10 V	54 mm	110 mm	66 mm
18165000	1 W	240 W	DALI-2	54 mm	110 mm	66 mm
17518000	1 W	240 W	Wireless technology control			
18192000	120 W	240 W	Wireless technology control	160 mm	45 mm	18 mm
17290000	1 W	100 W	DALI-2	244 mm	64 mm	32 mm
17291000	1 W	200 W	DALI-2	330 mm	79 mm	39 mm

Compatible Profiles				
	Series name	Length	Width	Height
	QUALITYFLEX Protection Horizon	1,000 mm	17.5 mm	22.9 mm
	QUALITYFLEX Protection Horizon	514 mm	13.5 mm	18 mm

QUALITYFLEX Protection Horizon LED flex lighting 5 m, Tunable-White, CRI > 90, 16 W / m, IP67
Article no. 19592004

Light.
For Generations.