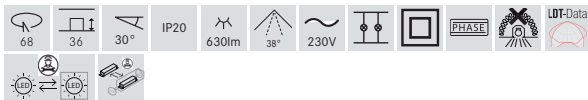
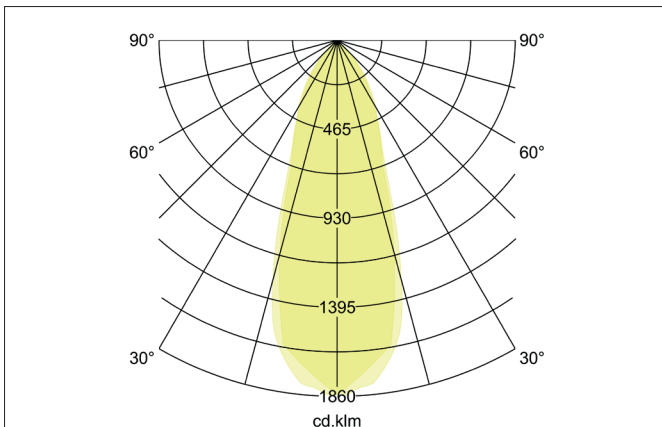
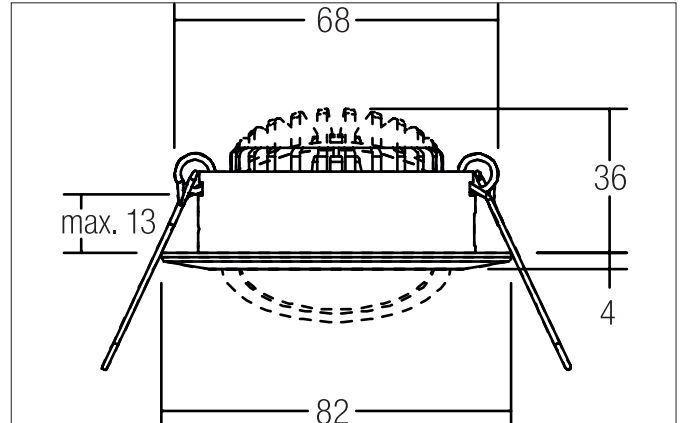


BB03 LED recessed spot set, trailing-edge phase dimmable
Article no. 39363023



Tender
LED recessed spot set, trailing-edge phase dimmable, Round. Toolless ceiling installation by installation springs. Ceiling cut-out Ø 68 mm, Installation depth 36 mm, Outer diameter 82 mm, Weight 0,153 kg, Reflector silver with rotationssymmetrical, deep, wide distributed light intensity. Cover polycarbonat clear. Luminous flux 630 lm, Power 1 x 6 W, Light colour warm white, Correlated color temperature (CCT) 3.000 K, Colour rendering index CRI > 80, Rated life time L70/B50 at 25 °C: 30.000 h, Rated life time L80/B20 at 25 °C: 50.000 h, Housing material: Aluminium / Plastic, Colour: Chrome, Permissible ambient temperature (ta): -20 °C - +25 °C, Protection class (EN 61140): II, Degree of protection (DIN EN 60529): IP20. With electronic driver, Trailing-edge phase dimmable.

Article data	
Article no.	39363023
GTIN	4251433916680
Series name	BB03
Short description	LED recessed spot set, trailing-edge phase dimmable
Material	Aluminium / Plastic
Colour	Chrome
Type of surface	Glossy
Shape	Round
Outer diameter	82 mm
Built-in diameter	68 mm
Installation depth	36 mm
Height	4 mm
Weight	0.153 kg
Conformance	CE, UKCA

BB03 LED recessed spot set, trailing-edge phase dimmable

Article no. 39363023

Lighting technology	
Colour temperature	3.000 K
Light colour	White
Light output	Direct
Luminous flux	630 lm
System efficiency	105 lm/W
Colour rendering	CRI > 80
Reflector	Faceted
Reflector colour	silver
Beam angle	38°
Light sharing	Symmetric
Adjustable color temperature	No

Operating technology of the luminaire	
Lamp holder	Plug&Play
Power	6 W
Voltage type	DC
Current	350 mA
Lamp	LED
Protection class	III
Degree of protection	IP20

Operating technology of driver	
Article No. of used driver	17663010
Length	110 mm
Width	50 mm
Height	19 mm
AC nominal voltage min	198 V
AC nominal voltage max	264 V
Frequency max	60 Hz
Dimmable	Yes
Control	Trailing-edge phase
Starting current	1 A, 15,2 µs
Power min	2.8 W
Power	7 W
Output current	350 mA
Degree of protection	IP20
Protection class	II
Flicker-free	Yes

Mounting technology	
Mounting method	Recessed mounting
Place of installation	Ceiling-mounted
Adjustability	Pivoted
Swivel angle	30°
Max. ceiling thickness	13 mm
Further references	No cover with thermal insulation material
Material cover	Polycarbonat clear
Suitable for through-wiring	Yes, with optional accessories

BB03 LED recessed spot set, trailing-edge phase dimmable

Article no. 39363023

Packing data	
Gross weight	0.196 kg
Length of packaging	95 mm
Packaging width	75 mm
Packaging height	95 mm
Disposal at end of life	<p>This product must not be disposed of with household waste. You are obliged, to dispose of such electrical waste separately.</p> <p>By disposing of electrical waste and other old or defective electronics separately, you support recycling or other forms of re-use. In that way you help to take care and to avoid that harmful substances get into the environment.</p>

Optional accessories	
Article no.: 81204020 Reducing ring D 110 mm, for luminaire cut-out size 68 mm	<p>https://www.brumberg.com/fileadmin/products/Datenblatt_81204020_2021_DE.pdf</p>
Article no.: 81205020 Reducing ring D 130 mm, for luminaire cut-out size 68 mm	<p>https://www.brumberg.com/fileadmin/products/Datenblatt_81205020_2021_DE.pdf</p>
Article no.: 81206020 Reducing ring D 145 mm, for luminaire cut-out size 68 mm	<p>https://www.brumberg.com/fileadmin/products/Datenblatt_81206020_2021_DE.pdf</p>
Article no.: 83330000 Connection box 230 V AC, 3-pole	<p>Dimensions: 80 mm x 41 mm x 34 mm</p> <p>https://www.brumberg.com/fileadmin/products/Datenblatt_83330000_2021_DE.pdf</p>