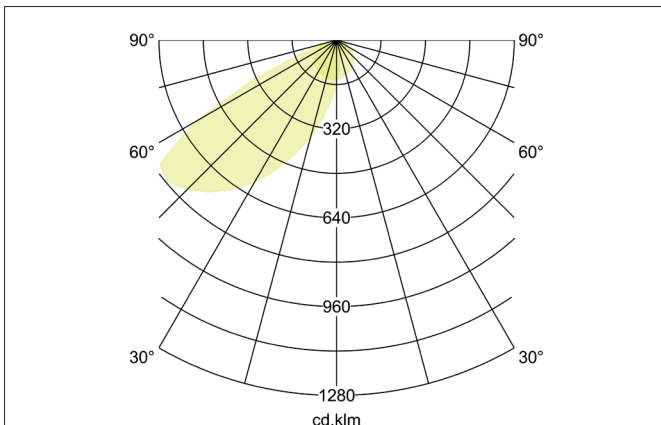
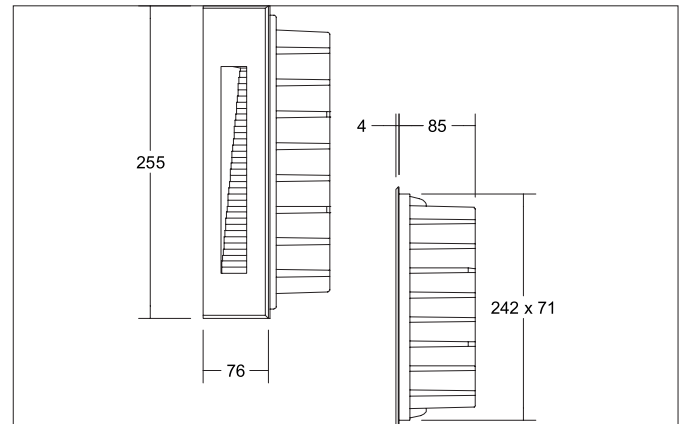


CASANDRA LED wall recessed light, IP65

Article no. 60211183

Light.
For Generations.**Tender**

LED wall recessed light, IP65, Rectangular. Ceiling cut-out Installation depth 85 mm, Weight 0,837 kg, with rotationssymmetrical, deep, wide distributed light intensity. Luminous flux 180 lm, Power 1 x 4 W, Light colour warm white, Correlated color temperature (CCT) 3.000 K, Colour rendering index CRI > 80, Housing material: Aluminium / Plastic, Colour: Black structure, Permissible ambient temperature (ta): -20 °C - +25 °C, Protection class (EN 61140): I, Degree of protection (DIN EN 60529): IP65, .For connection to an external driver, which is not included in the scope of delivery of the luminaire. on/off switchable.

Article data	
Article no.	60211183
GTIN	4251433928331
Series name	CASANDRA
Short description	LED wall recessed light, IP65
Material	Aluminium / Plastic
Colour	Black
Type of surface	Structure
Shape	Rectangular
Built-in width	71 mm
Installation depth	85 mm
Width	76 mm
Height	255 mm
Scope of delivery	Incl. converter for connection to the 230-V mains voltage, on/off and wall mounting housing
Weight	0.837 kg

CASANDRA LED wall recessed light, IP65

Article no. 60211183

Light.
For Generations.

Lighting technology	
Colour temperature	3.000 K
Light colour	White
Light output	Direct
Luminous flux	180 lm
System efficiency	45 lm/W
Colour rendering	CRI > 80
Reflector	Matt
Light sharing	Symmetric
Adjustable color temperature	No

Operating technology of the luminaire	
System output	4 W
Voltage type	AC
AC nominal voltage max	230 V
Frequenz max.	50 Hz
Lamp	LED
Lamp holder	Without fitting
Protection class	I
Degree of protection	IP65
Control	on/off
Bulb change possible	The light source of this luminaire may only be replaced by the manufacturer or a service technician commissioned by him or a similarly qualified person.

Mounting technology	
Mounting method	Recessed mounting
Place of installation	Wall-mounted
Adjustability	Not adjustable
Suitable for through-wiring	No

Packing data	
Gross weight	1.001 kg
Length of packaging	280 mm
Packaging width	100 mm
Packaging height	90 mm
Disposal at end of life	This product must not be disposed of with household waste. You are obliged, to dispose of such electrical waste separately. By disposing of electrical waste and other old or defective electronics separately, you support recycling or other forms of re-use. In that way you help to take care and to avoid that harmful substances get into the environment.