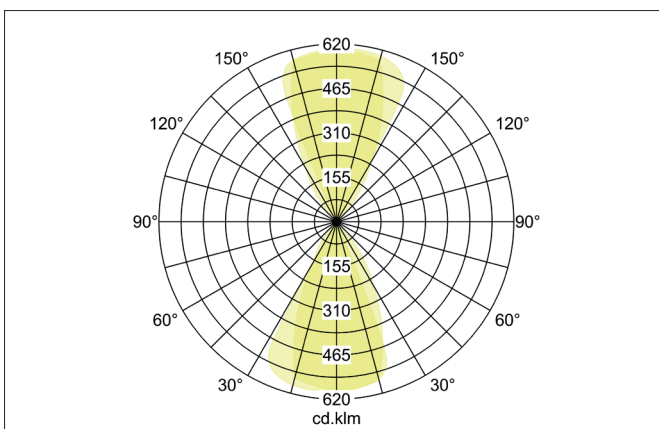
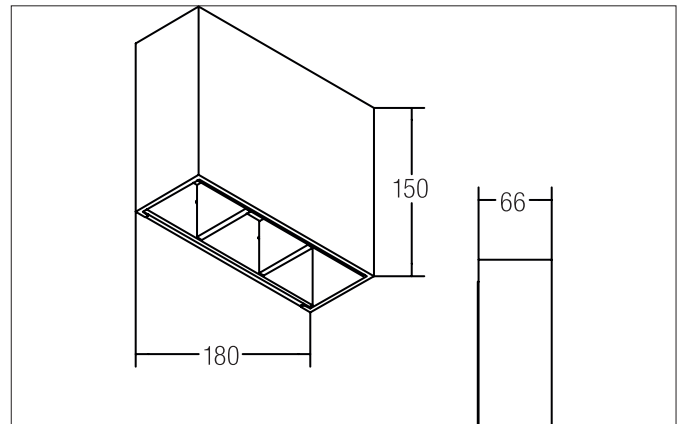


**MARIBO LED wall surface mounted luminaire, IP54**

Article no. 60110103

Light.  
For Generations.**Tender**

LED wall surface mounted luminaire, IP54, Rectangular. Luminaire length 180.0 mm, Luminaire width 66.0 mm, Hight 150.0 mm Weight 1.835 kg, with rotattionssymmetrical, deep, wide distributed light intensity. optimal light distribution due to a glass transparent cover. Luminous flux 424 lm, Power 2 x 6 W, Light colour warm white, Correlated color temprature (CCT) 3.000 K, Colour rendering index CRI > 90, Housing material: Aluminium / Glass, Colour: Graphite, Permissible ambient temperature (ta): -20 °C - +25 °C, Protection class (EN 61140): I, Degree of protection (DIN EN 60529): IP54, .With electronic driver, on/off switchable.

Article data	
Article no.	60110103
GTIN	4251433915416
Series name	MARIBO
Short description	LED wall surface mounted luminaire, IP54
Material	Aluminium / Glass
Colour	Graphite
Type of surface	Matt
Shape	Rectangular
Length	180 mm
Width	66 mm
Hight	150 mm
Scope of delivery	Incl. built-in 230 V power supply, not dimmable.
Weight	1.835 kg

**MARIBO LED wall surface mounted luminaire, IP54**

Article no. 60110103

Light.  
For Generations.

Lighting technology	
Colour temperature	3.000 K
Light colour	White
Light output	Direct/Indirect
Luminous flux	424 lm
System efficiency	71 lm/W
Colour rendering	CRI > 90
Beam angle	100°
Light sharing	Symmetric
Adjustable color temperature	No

Operating technology of the luminaire	
System output	6 W
Voltage type	AC
AC nominal voltage max	230 V
Frequenz max.	50 Hz
Lamp	LED
Lamp holder	Without fitting
Protection class	I
Degree of protection	IP54
Control	on/off
Bulb change possible	The light source of this luminaire may only be replaced by the manufacturer or a service technician commissioned by him or a similarly qualified person.

Mounting technology	
Mounting method	Surface mounting
Place of installation	Wall-mounted
Adjustability	Not adjustable
stamp	UKCA
Material cover	Glass transparent
Suitable for through-wiring	No

Packing data	
Gross weight	2.024 kg
Length of packaging	200 mm
Packaging width	80 mm
Packaging height	240 mm
Disposal at end of life	This product must not be disposed of with household waste. You are obliged, to dispose of such electrical waste separately. By disposing of electrical waste and other old or defective electronics separately, you support recycling or other forms of re-use. In that way you help to take care and to avoid that harmful substances get into the environment.