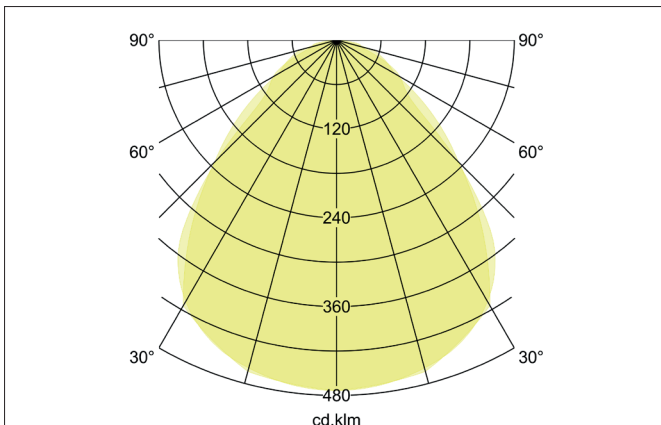
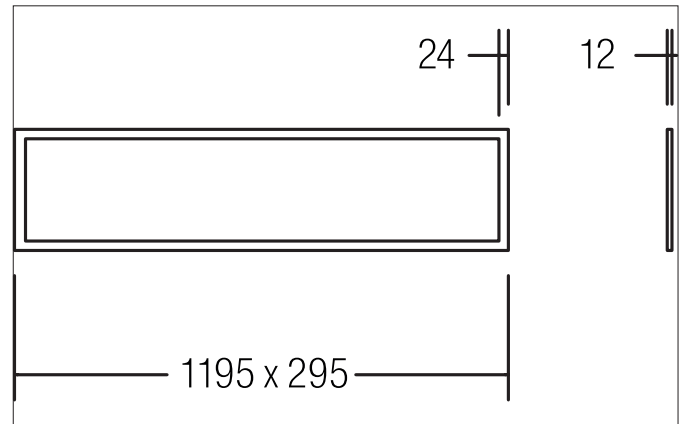


DALLON LED insert panel 1,195 x 295 mm

Article no. 12089003

Light.
For Generations.**Tender**

LED insert panel 1,195 x 295 mm, Rectangular. Recessed luminaire for ceilings with visible mounting rails. Ceiling cut-out L x W 1195 x 295 mm, Installation depth 12 mm, Length 1.195 mm, Width 295 mm, Weight 3,990 kg, with rotationssymmetrical, deep, wide distributed light intensity. optimal light distribution due to a microprismatic cover. Luminous flux 4.020 lm, UGR < 19, Power 1 x 42 W, System Efficiency 96 lm/W, Light colour warm white, Correlated color temperature (CCT) 3.000 K, Colour rendering index CRI > 80, Rated life time L70/B50 at 25 °C: 50000 h, Housing material: Aluminium / Polycarbonate, Colour: White, Permissible ambient temperature (ta): -20 °C - +25 °C, Protection class (EN 61140): II, Degree of protection (DIN EN 60529): IP20. With electronic driver, on/off switchable.

Article data	
Article no.	12089003
GTIN	4251433920380
Series name	DALLON
Short description	LED insert panel 1,195 x 295 mm
Material	Aluminium / Polycarbonate
Colour	White
Shape	Rectangular
Built-in width	295 mm
Built-in length	1195 mm
Installation depth	12 mm
Length	1,195 mm
Width	295 mm
Height	12 mm
Scope of delivery	Incl. microprismatic cover
Weight	3.250 kg

DALLON LED insert panel 1,195 x 295 mm

Article no. 12089003



Light.
For Generations.

Lighting technology	
Colour temperature	3.000 K
Light colour	White
Light output	Direct
Luminous flux	4,020 lm
System efficiency	96 lm/W
Colour rendering	CRI > 80
Reflector	Without
Beam angle	120°
Glare evaluation	UGR < 19
Light sharing	Symmetric

Operating technology of the luminaire	
System output	42 W
Voltage type	AC
AC nominal voltage max	230 V
Frequenz max.	50 Hz
Lamp	LED
Protection class	II
Degree of protection	IP20
Dimmable	No
Control	on/off
Bulb change possible	The light source of this luminaire may only be replaced by the manufacturer or a service technician commissioned by him or a similarly qualified person.
Rated life time L70/B50 at 25 °C	50000 h

Mounting technology	
Mounting method	Recessed mounting
Place of installation	Ceiling-mounted
Adjustability	Not adjustable
Further references	No cover with thermal insulation material
Material cover	Plastic, microprismatic

Packing data	
Gross weight	3.49 kg
Length of packaging	1,260 mm
Packaging width	380 mm
Packaging height	50 mm
Disposal at end of life	This product must not be disposed of with household waste. You are obliged, to dispose of such electrical waste separately. By disposing of electrical waste and other old or defective electronics separately, you support recycling or other forms of re-use. In that way you help to take care and to avoid that harmful substances get into the environment.

Accessories	
	Article no.: 81089000 Pendant set for Panel 12089..
	Article no.: 81089001 Pendant set for Panel 12089.. Dimensions: 1,220 mm x 320 mm x 50 mm