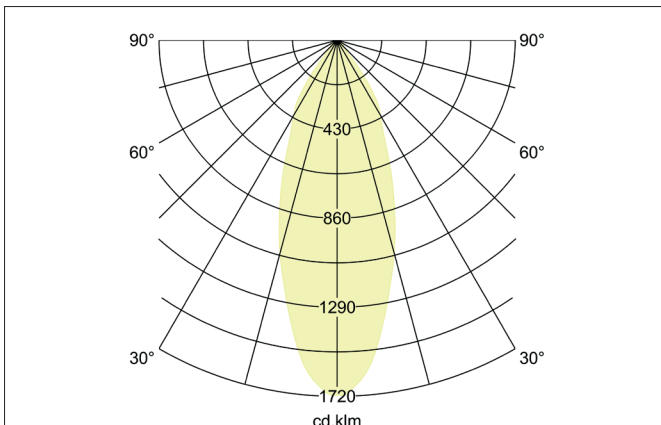
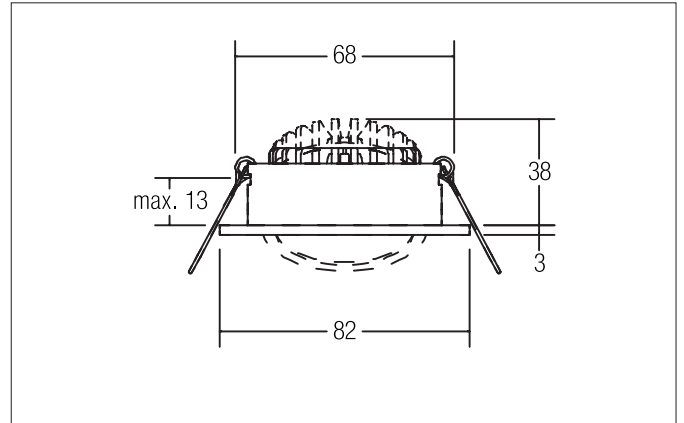


**LOOP®-R LED recessed spot set, trailing-edge phase dimmable**

Article no. 39383173


**Tender**

LED recessed spot set, trailing-edge phase dimmable, Round. Toolless ceiling installation by installation springs. Ceiling cut-out Ø 68 mm, Installation depth 38 mm, Outer diameter 82 mm, Weight 0,213 kg, Reflector silver with rotationssymmetrical, deep, wide distributed light intensity. Cover polycarbonat clear. Luminous flux 450 lm, Power 1 x 5 W, Light colour warm white, Correlated color temprature (CCT) 3.000 K, Colour rendering index CRI > 90, Rated life time L80/B20 at 25 °C: 50000 h, Housing material: Nylon / Magnesium Hydroxide / Fiberglass, Colour: White structure, Permissible ambient temperature (ta): -20 °C - +25 °C, Protection class (EN 61140): II, Degree of protection (DIN EN 60529): IP20. With electronic driver, Trailing-edge phase dimmable.

**Product Benefits**

LOOP®- Light Of Ocean Plastic.

The first certified LED recessed luminaire housing made of 100% recycled ocean plastic.

Plastic waste in the ocean is a global catastrophe, so we must do something about it.

We are making an important contribution with the first luminaire whose plastic content is made from 100 percent recycled ocean plastic.

With LOOP®, we are setting new standards for sustainable lighting solutions on the global market, which reflect high quality, functionality and aesthetics. Even the converter housing (L 72 x W 45 x H 23 mm) is also made of recycled ocean plastic.

**LOOP®-R LED recessed spot set, trailing-edge phase dimmable**

Article no. 39383173

Article data	
Article no.	39383173
GTIN	4251433981930
Series name	LOOP®-R
Short description	LED recessed spot set, trailing-edge phase dimmable
Material	Nylon / Magnesium Hydroxide / Fiberglass
Colour	White
Type of surface	Structure
Shape	Round
Outer diameter	82 mm
Built-in diameter	68 mm
Installation depth	38 mm
Hight	3 mm
Weight	0.213 kg
Conformance	CE, UKCA

Lighting technology	
Colour temperature	3.000 K
Light output	Direct
Luminous flux	450 lm
System efficiency	90 lm/W
Colour rendering	CRI > 90
Reflector	Faceted
Reflector colour	silver
Beam angle	38°
Light sharing	Symmetric
Adjustable color temperature	No

Operating technology of the luminaire	
Article No. of used light source	04100213
Power	5 W
Voltage type	DC
Current	125 mA
Lamp	LED
Protection class	III

Operating technology of driver	
Article No. of used driver	04300265
Length	82 mm
Width	45.4 mm
Hight	23.5 mm
AC nominal voltage min	220 V
AC nominal voltage max	240 V
Frequency max	63 Hz
Dimmable	Yes
Control	Trailing-edge phase
Power min	3 W
Power	5 W
Output current	125 mA
Degree of protection	IP20
Protection class	II

**LOOP®-R LED recessed spot set, trailing-edge phase dimmable**

Article no. 39383173

Mounting technology	
Mounting method	Recessed mounting
Place of installation	Ceiling-mounted
Adjustability	Pivoted
Swivel angle	20°
Max. ceiling thickness	13 mm
Further references	No cover with thermal insulation material
Material cover	Polycarbonat clear
Circlip	Without circlip
Suitable for through-wiring	Yes

Packing data	
Gross weight	0.254 kg
Length of packaging	102 mm
Packaging width	88 mm
Packaging height	84 mm
Disposal at end of life	<p>This product must not be disposed of with household waste. You are obliged, to dispose of such electrical waste separately.</p> <p>By disposing of electrical waste and other old or defective electronics separately, you support recycling or other forms of re-use. In that way you help to take care and to avoid that harmful substances get into the environment.</p>