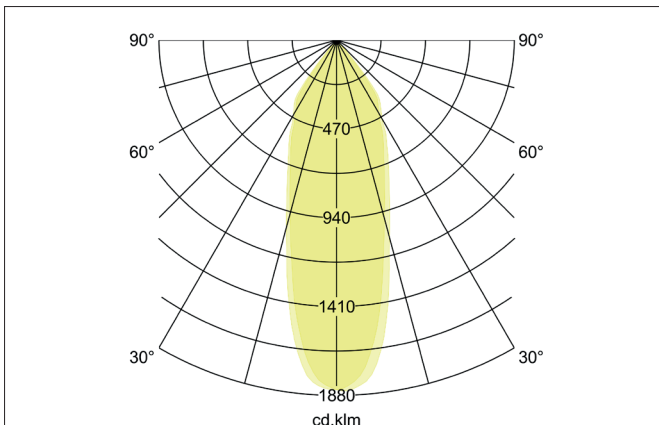
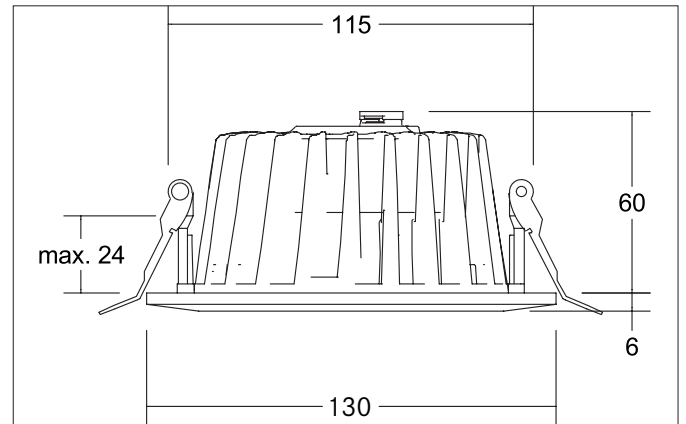


LYDON MINI LED recessed downlight, on/off switchable

Article no. 41542074

Light.
For Generations.**Tender**

LED recessed downlight, on/off switchable, Round. Toolless ceiling installation by installation springs. Ceiling cut-out Ø 115 mm, Installation depth 60 mm, Outer diameter 130 mm, Weight 0,577 kg, Reflector silver with rotationssymmetrical, deep, wide distributed light intensity. optimal light distribution due to a glass transparent cover. Luminous flux 1.470 lm, UGR < 19, Power 1 x 20 W, Light colour neutral white, Correlated color temperature (CCT) 4.000 K, Colour rendering index CRI > 80, Rated life time L70/B50 at 25 °C: 50.000 h, Housing material: Aluminium / Glass / Plastic, Colour: White, Permissible ambient temperature (ta): -20 °C - +25 °C, Protection class (EN 61140): II, Degree of protection (DIN EN 60529): IP20, .With electronic driver, on/off switchable.

Product Benefits

- Round insertion downlight made of massive aluminum with clear glass cover.
- Easy and tool-free installation.
- CRI > 80, UGR < 19.
- Low installation depth of 60 mm - Diameter of 126 mm, ceiling cut-out 115 mm.
- Ceiling thickness max. 24 mm.
- Delivery with switchable driver and 3-pole connection box with strain relief.

LYDON MINI LED recessed downlight, on/off switchable

Article no. 41542074

Light.
For Generations.

Article data	
Article no.	41542074
GTIN	4251433939191
Series name	LYDON MINI
Short description	LED recessed downlight, on/off switchable
Material	Aluminium / Glass / Plastic
Colour	White
Type of surface	Matt
Shape	Round
Outer diameter	130 mm
Built-in diameter	115 mm
Installation depth	60 mm
Hight	6 mm
Scope of delivery	Incl. converter for connection to 230 V mains voltage, on/off switchable and connection box
Weight	0.577 kg
stamp	UKCA

Lighting technology	
Colour temperature	4.000 K
Light colour	White
Light output	Direct
Luminous flux	1,470 lm
System efficiency	74 lm/W
Colour rendering	CRI > 80
Reflector	Glossy
Reflector colour	silver
Beam angle	40°
Glare evaluation	UGR < 19
Light sharing	Symmetric
Adjustable color temperature	No

Operating technology of the luminaire

Mounting technology	
Mounting method	Recessed mounting
Place of installation	Ceiling-mounted
Adjustability	Not adjustable
Max. ceiling thickness	24 mm
Further references	No cover with thermal insulation material
Material cover	Glass transparent
Suitable for through-wiring	Yes

Packing data	
Gross weight	0.73 kg
Length of packaging	220 mm
Packaging width	150 mm
Packaging hight	115 mm
Disposal at end of life	This product must not be disposed of with household waste. You are obliged, to dispose of such electrical waste separately. By disposing of electrical waste and other old or defective electronics separately, you support recycling or other forms of re-use. In that way you help to take care and to avoid that harmful substances get into the environment.