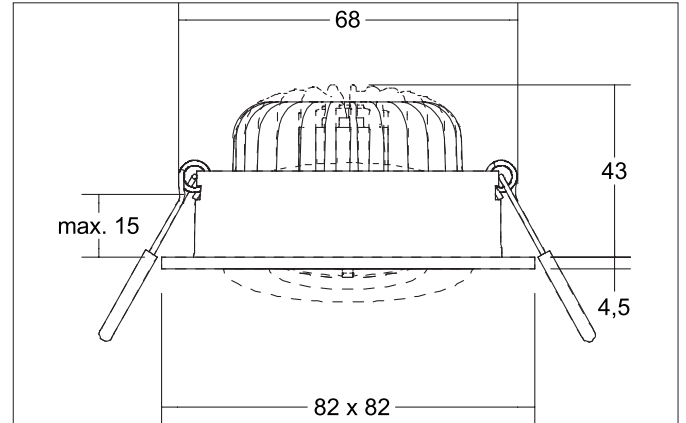


BB38 LED recessed spot set, on/off switchable
 Article no. 38399183

Light.
 For Generations.



Tender
 LED recessed spot set, on/off switchable, Round. Toolless ceiling installation by installation springs. Ceiling cut-out Ø 68 mm, Installation depth 43 mm, Length 82 mm, Width 82 mm, Weight 0,181 kg. Reflector silver with rotationssymmetrical, deep, wide distributed light intensity. optimal light distribution due to a polycarbonat clear cover. Luminous flux 680 lm, Power 1 x 7 W, Light colour warm white, Correlated color temprature (CCT) 3.000 K, Colour rendering index CRI > 80, Rated life time L70/B50 at 25 °C: 50.000 h, Housing material: Aluminium / Plastic, Colour: White structure, Permissible ambient temperature (ta): -20 °C - +25 °C, Protection class (EN 61140): II, Degree of protection (DIN EN 60529): IP20, .With electronic driver, on/off switchable.

| Article data | |
|--------------------|--|
| Article no. | 38399183 |
| GTIN | 4251433953111 |
| Series name | BB38 |
| Short description | LED recessed spot set, on/off switchable |
| Material | Aluminium / Plastic |
| Colour | White |
| Type of surface | Structure |
| Shape | Square |
| Built-in diameter | 68 mm |
| Installation depth | 43 mm |
| Length | 82 mm |
| Width | 82 mm |
| Hight | 4.5 mm |
| Weight | 0.181 kg |

BB38 LED recessed spot set, on/off switchable

Article no. 38399183

Light.
For Generations.

| Lighting technology | |
|------------------------------|------------|
| Colour temperature | 3.000 K |
| Light colour | White |
| Light output | Direct |
| Luminous flux | 680 lm |
| System efficiency | 97 lm/W |
| Colour rendering | CRI > 80 |
| Reflector | High-gloss |
| Reflektorfarbe | silver |
| Beam angle | 40° |
| Light sharing | Symmetric |
| Adjustable color temperature | No |

| Operating technology of the luminaire | |
|---------------------------------------|--|
|---------------------------------------|--|

| Operating technology of driver | |
|--------------------------------|-----------------|
| Length | 68 mm |
| Width | 35 mm |
| Hight | 21 mm |
| AC nominal voltage min | 220 V |
| AC nominal voltage max | 240 V |
| Frequenz max. | 50 Hz |
| Dimmable | No |
| Control | on/off |
| Starting current | 10 A (max.10ms) |
| Power min | 1 W |
| Power | 7.2 W |
| Current | 350 mA |
| Degree of protection | IP20 |
| Protection class | II |
| Flickerfrei | Yes |

| Mounting technology | |
|-----------------------------|---|
| Mounting method | Recessed mounting |
| Place of installation | Ceiling-mounted |
| Adjustability | Pivoted |
| Swivel angle | 20° |
| Max. ceiling thickness | 15 mm |
| Further references | No cover with thermal insulation material |
| Material cover | Polycarbonat clear |
| Suitable for through-wiring | Yes, with optional accessories |

| Packing data | |
|-------------------------|---|
| Gross weight | 0.213 kg |
| Length of packaging | 115 mm |
| Packaging width | 86 mm |
| Packaging hight | 63 mm |
| Disposal at end of life | This product must not be disposed of with household waste. You are obliged, to dispose of such electrical waste separately. By disposing of electrical waste and other old or defective electronics separately, you support recycling or other forms of re-use. In that way you help to take care and to avoid that harmful substances get into the environment. |