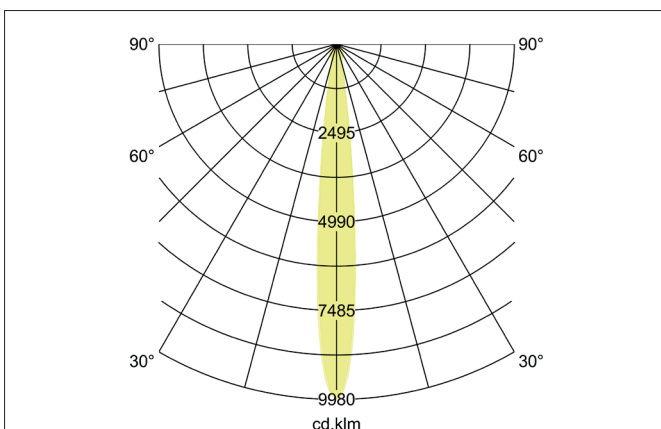
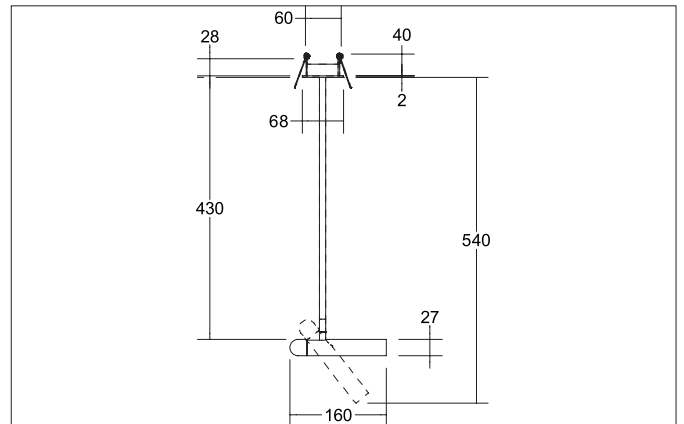


CUBA LED recessed spot, rotatable and pivoted

Article no. 12308183

Light.
For Generations.**Tender**

LED recessed spot, rotatable and pivoted, Round. Toolless ceiling installation by installation springs. Ceiling cut-out \varnothing 60 mm, Installation depth 40 mm, Weight 0,375 kg, Reflector silver with rotationssymmetrical, deep, wide distributed light intensity. optimal light distribution due to a Without cover cover. Luminous flux 250 lm, Power 1 x 4,2 W, Colour rendering index CRI > 90, Housing material: Aluminium / Plastic, Colour: Black structure, Permissible ambient temperature (ta): -20 °C - +25 °C, Protection class (EN 61140): I, Degree of protection (DIN EN 60529): IP20, .With electronic driver, on/off switchable.

Product Benefits

- LED recessed spotlight in round aluminum design.
- With 430 mm tube suspension.
- Luminaire head can be rotated (355°) and swiveled (25°).
- Ceiling cut-out 60 mm, outer diameter 68 mm (cover plate ceiling cut-out), installation depth 40 mm, Luminous flux 250 lm, IP20.
- Set including switchable converter.

CUBA LED recessed spot, rotatable and pivoted

Article no. 12308183

Light.
For Generations.

Article data	
Article no.	12308183
GTIN	4251433932468
Series name	CUBA
Short description	LED recessed spot, rotatable and pivoted
Material	Aluminium / Plastic
Colour	Black
Type of surface	Structure
Shape	Round
Built-in diameter	60 mm
Installation depth	40 mm
Hight	540 mm
Weight	0.375 kg

Lighting technology	
Colour temperature	3.000 K
Light output	Direct
Luminous flux	250 lm
System efficiency	60 lm/W
Colour rendering	CRI > 90
Reflector	High-gloss
Reflektorfarbe	silver
Beam angle	38°
Light sharing	Symmetric

Operating technology of the luminaire	
System output	4.2 W
Voltage type	AC
AC nominal voltage max	230 V
Current	350 mA
Frequenz max.	50 Hz
Lamp	LED
Lamp holder	Without fitting
Protection class	I
Degree of protection	IP20
Dimmable	No
Control	on/off
Bulb change possible	The light source of this luminaire may only be replaced by the manufacturer or a service technician commissioned by him or a similarly qualified person.

Mounting technology	
Mounting method	Recessed mounting
Place of installation	Ceiling-mounted
Adjustability	Head adjustable
Swivel angle	25°
Rotation angle	355°
Head adjustable angle	25°
Max. ceiling thickness	28 mm
Further references	No cover with thermal insulation material
Pendulum length min.	430 mm
Material cover	Without cover
Suitable for through-wiring	Yes, with optional accessories

CUBA LED recessed spot, rotatable and pivoted

Article no. 12308183

Light.
For Generations.

Packing data	
Gross weight	0.745 kg
Length of packaging	605 mm
Packaging width	135 mm
Packaging height	100 mm
Disposal at end of life	<p>This product must not be disposed of with household waste. You are obliged, to dispose of such electrical waste separately.</p> <p>By disposing of electrical waste and other old or defective electronics separately, you support recycling or other forms of re-use. In that way you help to take care and to avoid that harmful substances get into the environment.</p>