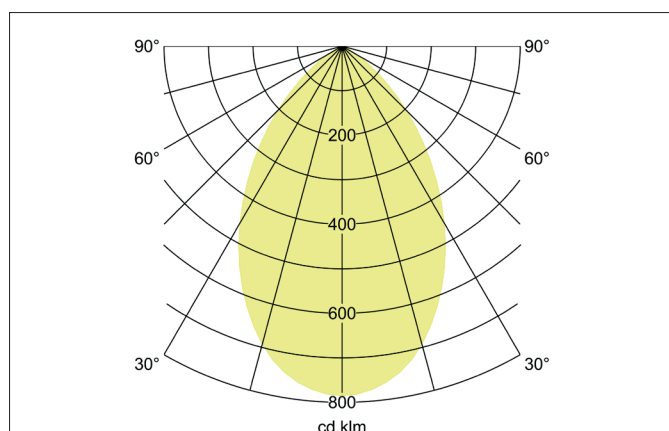
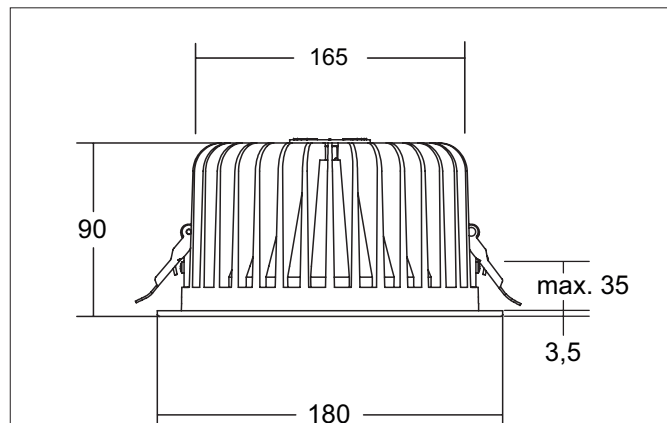


KACIE MINI LED recessed downlight, DALI dimmable

Article no. 12572183


Tender

Round LED recessed downlight, DALI dimmable, silver reflector, faceted, tool-free ceiling installation using installation springs. Ceiling cut-out Ø 165 mm, installation depth 90 mm, outer diameter 180 mm, weight 1.184 kg, silver reflector with rotationally symmetrical deep-wide beam light distribution. Cover PC (polycarbonate) opal, rated luminous flux 2,090 lm, UGR < 22, rated wattage 1 x 23 W, light color warm white, most similar color temperature (CCT) 3,000 K, general color rendering index CRI > 90, service life L70/B10 at 25 °C: 50.000 h, service life L70/B50 at 25 °C: 50,000 h, housing material: aluminum / polycarbonate / steel, color: textured black, permissible ambient temperature (ta): -20 °C - +25 °C, protection class (EN 61140): II, degree of protection (DIN EN 60529): IP20. With electronic control gear, DALI-2 dimmable.

Product Benefits

- Round recessed downlight made of massive aluminum with generously dimensioned thermal management.
- High-quality reflector and additional recessed opal diffusing lens made of polycarbonate.
- Easy and tool-free mounting.
- CRI > 90, UGR < 22 (on request also in UGR < 19).
- Low installation depth of 90 mm - diameter of 180 mm, ceiling cut-out 165 mm.
- DALI dimmable.

KACIE MINI LED recessed downlight, DALI dimmable

Article no. 12572183

Article data	
Article no.	12572183
GTIN	4251433943518
Series name	KACIE MINI
Short description	LED recessed downlight, DALI dimmable
Material	Aluminium / Polycarbonate / Steel
Colour	Black
Type of surface	Structure
Shape	Round
Outer diameter	180 mm
Built-in diameter	165 mm
Installation depth	90 mm
Hight	3.5 mm
Scope of delivery	Incl. converter for connection to 230 V mains voltage, DALI dimmable
Weight	1.184 kg
Conformance	CE, UKCA

Lighting technology	
Colour temperature	3.000 K
Light colour	White
Light output	Direct
Luminous flux	2,090 lm
System efficiency	91 lm/W
Colour rendering	CRI > 90
Reflector	Faceted
Reflector colour	silver
Beam angle	68°
Glare evaluation	UGR < 22
Light sharing	Symmetric
Adjustable color temperature	No

Operating technology of the luminaire	
System output	23 W
Voltage type	AC
AC nominal voltage max	230 V
Frequency max	50 Hz
Lamp	LED
Protection class	II
Degree of protection	IP20
Dimmable	Yes
Control	DALI-2
Bulb change possible	The light source of this luminaire may only be replaced by the manufacturer or a service technician commissioned by him or a similarly qualified person.
Rated life time L70/B50 at 25 °C	50,000 h
Energy efficiency class	nicht erforderlich

Mounting technology	
Mounting method	Recessed mounting
Place of installation	Ceiling-mounted
Adjustability	Not adjustable
Max. ceiling thickness	35 mm
Further references	No cover with thermal insulation material
Material cover	Polycarbonat opal
Suitable for through-wiring	Yes, with optional accessories

KACIE MINI LED recessed downlight, DALI dimmable

Article no. 12572183

Packing data	
Gross weight	1.366 kg
Length of packaging	200 mm
Packaging width	200 mm
Packaging height	100 mm
Disposal at end of life	<p>This product must not be disposed of with household waste. You are obliged, to dispose of such electrical waste separately.</p> <p>By disposing of electrical waste and other old or defective electronics separately, you support recycling or other forms of re-use. In that way you help to take care and to avoid that harmful substances get into the environment.</p>

Optional accessories	
Article no.: 81025180	Reducing ring for recessed downlight
Dimensions: 250 mm x 1.5 mm	https://www.brumberg.com/fileadmin/products/Datenblatt_81025180_2021_DE.pdf
Article no.: 83331000	Connection box 230 V AC, 5-pole (DALI / 1-10 V)
Dimensions: 95 mm x 55 mm x 30 mm	https://www.brumberg.com/fileadmin/products/Datenblatt_83331000_2021_DE.pdf