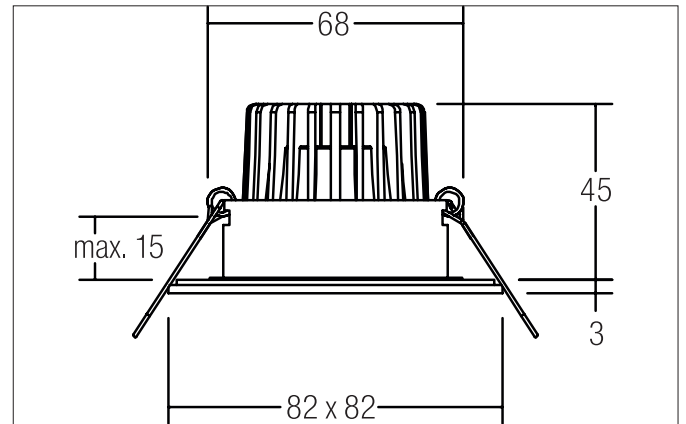


ITANSA-S BB16 LED recessed downlight set, V4A, IP54, DALI dimmable incl. connection box

Article no. 41476423

Light.
For Generations.**Tender**

LED recessed downlight set, V4A, IP54, DALI dimmable incl. connection box, Square. Toolless ceiling installation by installation springs. Ceiling cut-out Ø 68 mm, Installation depth 45 mm, Length 82 mm, Width 82 mm, Weight 0,437 kg, Reflector silver with rotationssymmetrical, deep, wide distributed light intensity. optimal light distribution due to a glass transparent cover. Luminous flux 680 lm, Power 1 x 6 W, Light colour warm white, Correlated color temperature (CCT) 3.000 K, Colour rendering index CRI > 80, Rated life time L80/B20 at 25 °C: 50.000 h, Housing material: Stainless steel / Aluminium / Glass, Colour: Stainless steel, Permissible ambient temperature (ta): -20 °C - +25 °C, Protection class (EN 61140): II, Degree of protection (DIN EN 60529): IP54, .With electronic driver, DALI-2 dimmable.

| Article data | |
|--------------------|---|
| Article no. | 41476423 |
| GTIN | 4251433935957 |
| Series name | ITANSA-S BB16 |
| Short description | LED recessed downlight set, V4A, IP54, DALI dimmable incl. connection box |
| Material | Stainless steel / Aluminium / Glass |
| Colour | Stainless steel |
| Type of surface | Matt |
| Shape | Square |
| Built-in diameter | 68 mm |
| Installation depth | 45 mm |
| Length | 82 mm |
| Width | 82 mm |
| Hight | 3 mm |
| Scope of delivery | Incl. 5-pole connection box |
| Weight | 0.437 kg |
| Conformance | CE, UKCA |

ITANSA-S BB16 LED recessed downlight set, V4A, IP54, DALI dimmable incl. connection box

Article no. 41476423

Light.
For Generations.

| Lighting technology | |
|------------------------------|------------|
| Colour temperature | 3.000 K |
| Light colour | White |
| Light output | Direct |
| Luminous flux | 680 lm |
| System efficiency | 113 lm/W |
| Colour rendering | CRI > 80 |
| Reflector | High-gloss |
| Reflector colour | silver |
| Beam angle | 38° |
| Light sharing | Symmetric |
| Adjustable color temperature | No |

| Operating technology of the luminaire | |
|---------------------------------------|-----------|
| Article No. of used light source | 12924003 |
| Hight | 40 mm |
| Diameter | 50 mm |
| Lamp holder | Plug&Play |
| Power | 6 W |
| Voltage type | DC |
| Current | 350 mA |
| Lamp | LED |
| Protection class | III |
| Degree of protection | IP20 |

| Operating technology of driver | |
|--------------------------------|--------------|
| Article No. of used driver | 17684000 |
| Length | 130 mm |
| Width | 42 mm |
| Hight | 22 mm |
| AC nominal voltage min | 220 V |
| AC nominal voltage max | 240 V |
| Frequency max | 60 Hz |
| Dimmable | Yes |
| Control | DALI-2 |
| Starting current | 1 A, 15,2 us |
| Power min | 2.8 W |
| Power | 7 W |
| Output current | 350 mA |
| Degree of protection | IP20 |
| Protection class | II |
| Flicker-free | Yes |

| Mounting technology | |
|-----------------------------|---|
| Mounting method | Recessed mounting |
| Place of installation | Ceiling-mounted |
| Adjustability | Not adjustable |
| Max. ceiling thickness | 15 mm |
| Further references | V4A No cover with thermal insulation material |
| Material cover | Glass transparent |
| Suitable for through-wiring | Yes |

**ITANSA-S BB16 LED recessed downlight set, V4A, IP54, DALI dim-
mable incl. connection box**

Article no. 41476423

Light.
For Generations.

| Packing data | |
|-------------------------|--|
| Gross weight | 0.51 kg |
| Length of packaging | 140 mm |
| Packaging width | 110 mm |
| Packaging height | 120 mm |
| Disposal at end of life | <p>This product must not be disposed of with household waste. You are obliged, to dispose of such electrical waste separately.</p> <p>By disposing of electrical waste and other old or defective electronics separately, you support recycling or other forms of re-use. In that way you help to take care and to avoid that harmful substances get into the environment.</p> |