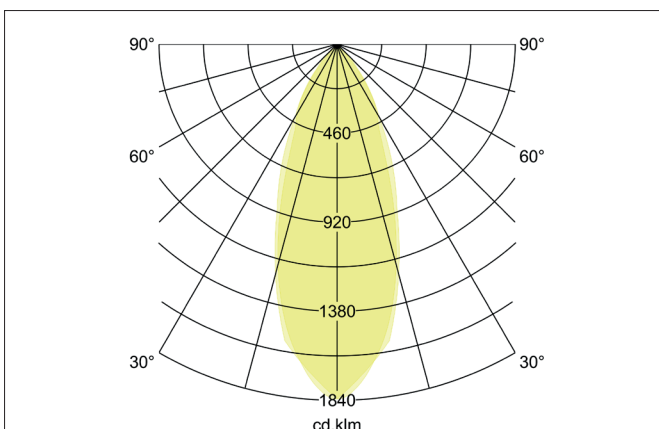
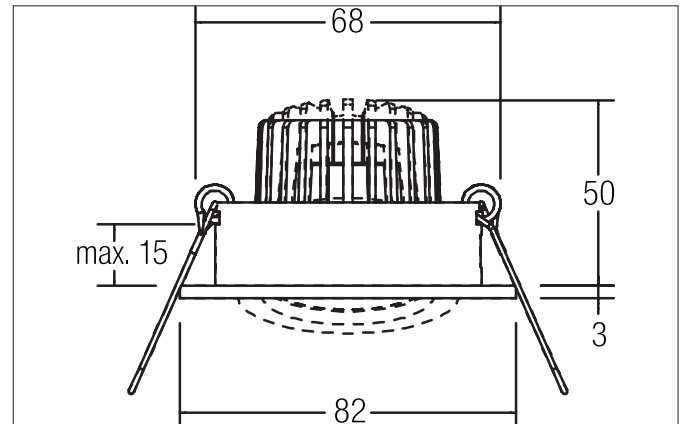


TIRREL-R LED recessed spot set, on/off

Article no. 38143173


Tender

Round LED recessed spotlight set, switchable, tool-free ceiling installation using installation springs. Ceiling cut-out \varnothing 68 mm, installation depth 50 mm, outer diameter 82 mm, weight 0.176 kg, silver reflector with rotationally symmetrical deep-wide beam light distribution. Cover glass transparent, rated luminous flux 730 lm, rated wattage 1 x 6 W, light color warm white, most similar color temperature (CCT) 3,000 K, general color rendering index CRI > 80, housing material: aluminum / glass / plastic, color: textured white, permissible ambient temperature (ta): -20 °C - +25 °C, protection class (EN 61140): II, degree of protection (DIN EN 60529): IP20. With electronic control gear, switchable.

Product Benefits

- LED recessed spot in round design made of solid aluminum.
with LED module 6 W (3,000 K) and switchable converter.
- Ceiling cutout 68 mm, diameter 82 mm, installation depth 50 mm, IP20.
- Pivoting range 25°.
- Large color variation. Without visible snap ring.
- Classic, formally restrained design.
- In the same look also in GX5.3 or GU10 version and as a dimmable set (trailing-edge phase or DALI) and as a loudspeaker.
- In addition, in the same surface structure and in the same color also available in square version.

TIRREL-R LED recessed spot set, on/off

Article no. 38143173

Article data	
Article no.	38143173
GTIN	4251433958352
Series name	TIRREL-R
Short description	LED recessed spot set, on/off
Material	Aluminium / Glass / Plastic
Colour	White
Type of surface	Structure
Shape	Round
Outer diameter	82 mm
Built-in diameter	68 mm
Installation depth	50 mm
Hight	3 mm
Weight	0.176 kg
Conformance	CE, UKCA

Lighting technology	
Colour temperature	3.000 K
Light colour	White
Light output	Direct
Luminous flux	730 lm
System efficiency	122 lm/W
Colour rendering	CRI > 80
Reflector	Faceted
Reflector colour	silver
Beam angle	38°
Light sharing	Symmetric
Adjustable color temperature	No

Operating technology of the luminaire	
Article No. of used light source	12924383
Hight	3 mm
Lamp holder	GX5.3
Power	13 W
Voltage type	AC/DC
Maximum nominal voltage	12.00 V
Lamp	For LED-retrofill lamp
Protection class	III
Degree of protection	IP20
Bulb change possible	Yes

Operating technology of driver	
Article No. of used driver	17662000
Length	68 mm
Width	35 mm
Hight	21 mm
AC nominal voltage min	90 V
AC nominal voltage max	264 V
Frequency max	60 Hz
Dimmable	No
Control	on/off
Starting current	10 A, 10 ms
Power min	1 W
Power	7.2 W
Output current	350 mA
Degree of protection	IP20
Protection class	II
Flicker-free	Yes

TIRREL-R LED recessed spot set, on/off

Article no. 38143173

Mounting technology	
Mounting method	Recessed mounting
Place of installation	Ceiling-mounted
Adjustability	Pivoted
Swivel angle	20°
Max. ceiling thickness	15 mm
Further references	No cover with thermal insulation material
Material cover	Glass transparent
Circlip	Without circlip
Suitable for through-wiring	Yes, with optional accessories

Packing data	
Gross weight	0.25 kg
Length of packaging	95 mm
Packaging width	75 mm
Packaging height	95 mm
Disposal at end of life	This product must not be disposed of with household waste. You are obliged, to dispose of such electrical waste separately. By disposing of electrical waste and other old or defective electronics separately, you support recycling or other forms of re-use. In that way you help to take care and to avoid that harmful substances get into the environment.

Optional accessories	
Article no.: 81201170 Reducing ring D 110 mm, for luminaire cut-out size 68 mm	https://www.brumberg.com/fileadmin/products/Datenblatt_81201170_2021_DE.pdf
Article no.: 81202170 Reducing ring D 130 mm, for luminaire cut-out size 68 mm	https://www.brumberg.com/fileadmin/products/Datenblatt_81202170_2021_DE.pdf
Article no.: 81203170 Reducing ring D 145 mm, for luminaire cut-out size 68 mm	https://www.brumberg.com/fileadmin/products/Datenblatt_81203170_2021_DE.pdf
Article no.: 83330000 Connection box 230 V AC, 3-pole	Dimensions: 80 mm x 41 mm x 34 mm https://www.brumberg.com/fileadmin/products/Datenblatt_83330000_2021_DE.pdf