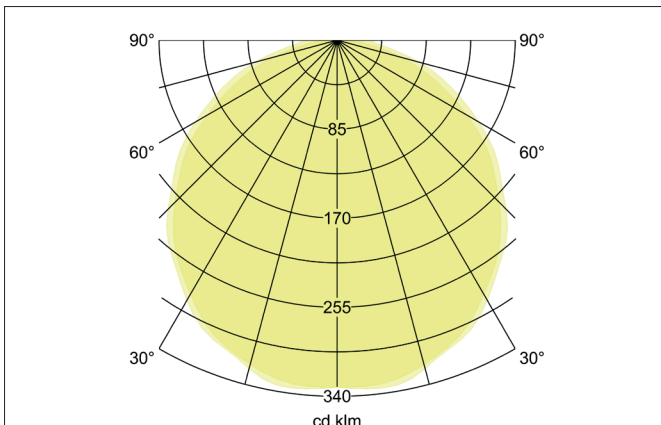
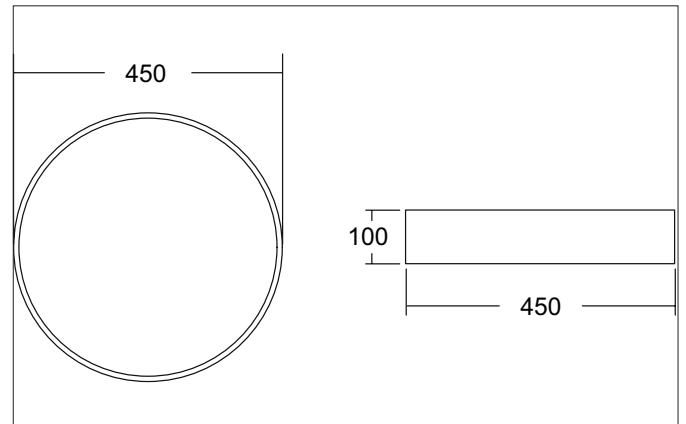


**BIRO CIRCLE LED surface luminaire, DALI dimmable**

Article no. 13695174


**Tender**

LED surface luminaire, DALI dimmable, Round. Luminaire diameter 450.0 mm, Hight 100.0 mm Weight 3.0 kg, with rotationssymmetrical, deep, wide distributed light intensity. Cover plastic, opal. Luminous flux 2.550 lm, Power 1 x 25 W, Light colour neutral white, Correlated color temperature (CCT) 4.000 K, Colour rendering index CRI > 80, Rated life time L70/B50 at 25 °C: 50.000 h, Rated life time L80/B50 at 25 °C: 50.000 h, Housing material: Aluminium / Steel / Plastic, Colour: White structure, Permissible ambient temperature (ta): -20 °C - +25 °C, Protection class (EN 61140): I, Degree of protection (DIN EN 60529): IP40. With electronic driver, DALI-DT6 dimmable.

| Article data      |   |
|-------------------|---|
| Article no.       | 13695174  |
| GTIN              | 4251433938736   |
| Series name       | BIRO CIRCLE   |
| Short description | LED surface luminaire, DALI dimmable                      |
| Material          | Aluminium / Steel / Plastic                               |
| Colour            | White   |
| Type of surface   | Structure   |
| Shape             | Round   |
| Outer diameter    | 450 mm  |
| Hight             | 100 mm  |
| Scope of delivery | Incl. converter for connection to the 230-V mains voltage |
| Weight            | 3.000 kg  |
| Conformance       | CE, UKCA  |

**BIRO CIRCLE LED surface luminaire, DALI dimmable**

Article no. 13695174

| Lighting technology          |               |
|------------------------------|---------------|
| Colour temperature           | 4.000 K       |
| Light colour                 | White         |
| Light output                 | Direct        |
| Luminous flux                | 2,550 lm      |
| System efficiency            | 102 lm/W      |
| McAdam-Step                  | McAdam-Step 3 |
| Colour rendering             | CRI > 80      |
| Reflector                    | Without       |
| Beam angle                   | 110°          |
| Light sharing                | Symmetric     |
| Adjustable color temperature | No            |

| Operating technology of the luminaire |  |
|---------------------------------------|--|
| System output                         | 25 W   |
| Voltage type                          | AC   |
| AC nominal voltage max                | 230 V  |
| Frequency max                         | 50 Hz  |
| Lamp                                  | LED  |
| Lamp holder                           | Without fitting  |
| Protection class                      | I  |
| Degree of protection                  | IP40   |
| Control                               | DALI-DT6   |
| Bulb change possible                  | The light source of this luminaire may only be replaced by the manufacturer or a service technician commissioned by him or a similarly qualified person. |
| Rated life time L70/B50 at 25 °C      | 50,000 h   |
| Rated life time L80/B50 at 25 °C      | 50.000 h   |

| Mounting technology   |                  |
|-----------------------|------------------|
| Mounting method       | Surface mounting |
| Place of installation | Ceiling-mounted  |
| Adjustability         | Not adjustable   |
| Material cover        | Plastic, opal    |

| Packing data            |   |
|-------------------------|---|
| Gross weight            | 3.5 kg  |
| Length of packaging     | 480 mm  |
| Packaging width         | 480 mm  |
| Packaging height        | 110 mm  |
| Disposal at end of life | This product must not be disposed of with household waste. You are obliged, to dispose of such electrical waste separately.<br>By disposing of electrical waste and other old or defective electronics separately, you support recycling or other forms of re-use. In that way you help to take care and to avoid that harmful substances get into the environment. |