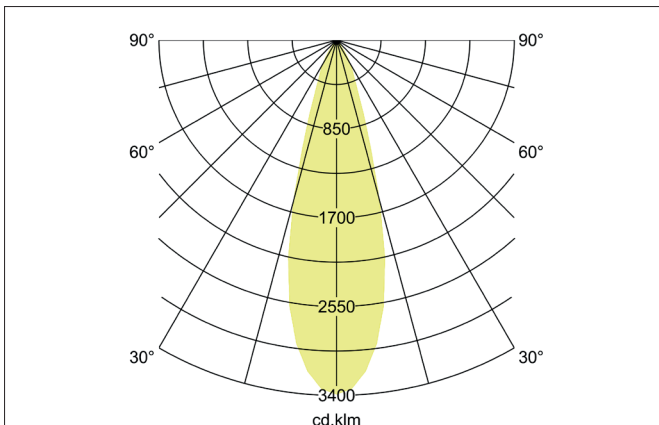
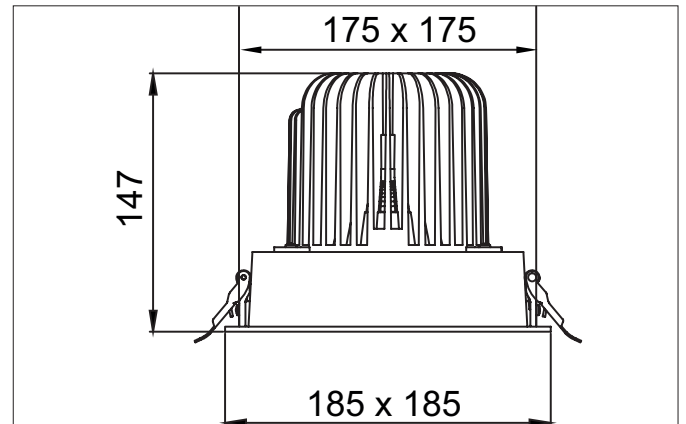


TRAVUS LED recessed spotlight, cardanic

Article no. 12581184

Light.
For Generations.**Tender**

LED recessed spotlight, cardanic, Square. Toolless ceiling installation by installation springs. Ceiling cut-out L x W 175 x 175 mm, Installation depth 147 mm, Length 185 mm, Width 185 mm, Weight 1,793 kg, Reflector silver with rotationssymmetrical, deep, wide distributed light intensity.. Luminous flux 5.239 lm, Power 1 x 41,5 W, Light colour neutral white, Correlated color temperature (CCT) 4.000 K, Colour rendering index CRI > 90, Rated life time L70/B10 at 25 °C: 50.000 h, Housing material: Aluminium / Glass / Plastic, Colour: Black structure, Permissible ambient temperature (ta): -20 °C - +25 °C, Protection class (EN 61140): II, Degree of protection (DIN EN 60529): IP20. With electronic driver, on/off switchable.

Article data	
Article no.	12581184
GTIN	4251433938552
Series name	TRAVUS
Short description	LED recessed spotlight, cardanic
Material	Aluminium / Glass / Plastic
Colour	Black
Type of surface	Structure
Shape	Square
Built-in width	175 mm
Built-in length	175 mm
Installation depth	147 mm
Length	185 mm
Width	185 mm
Weight	1.793 kg
Conformance	CE, UKCA

TRAVUS LED recessed spotlight, cardanic

Article no. 12581184

Light.
For Generations.

Lighting technology	
Colour temperature	4.000 K
Light colour	White
Light output	Direct
Luminous flux	5,239 lm
System efficiency	126 lm/W
Colour rendering	CRI > 90
Reflector	High-gloss
Reflector colour	silver
Beam angle	30°
Light sharing	Symmetric
Adjustable color temperature	No

Operating technology of the luminaire	
System output	41.5 W
Voltage type	AC
AC nominal voltage max	230 V
Frequency max	50 Hz
Lamp	LED
Protection class	II
Degree of protection	IP20
Control	on/off
Bulb change possible	The light source of this luminaire may only be replaced by the manufacturer or a service technician commissioned by him or a similarly qualified person.

Mounting technology	
Mounting method	Recessed mounting
Place of installation	Ceiling-mounted
Adjustability	Rotable and pivoted
Swivel angle	30°
Rotation angle	355°
Further references	No cover with thermal insulation material

Packing data	
Gross weight	1.952 kg
Length of packaging	150 mm
Packaging width	150 mm
Packaging height	300 mm
Disposal at end of life	This product must not be disposed of with household waste. You are obliged, to dispose of such electrical waste separately. By disposing of electrical waste and other old or defective electronics separately, you support recycling or other forms of re-use. In that way you help to take care and to avoid that harmful substances get into the environment.