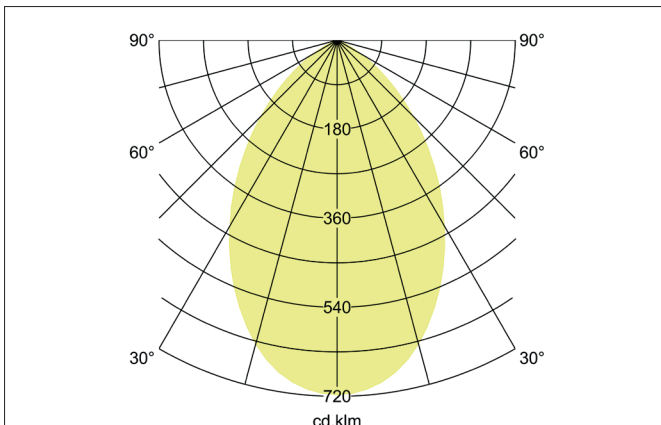
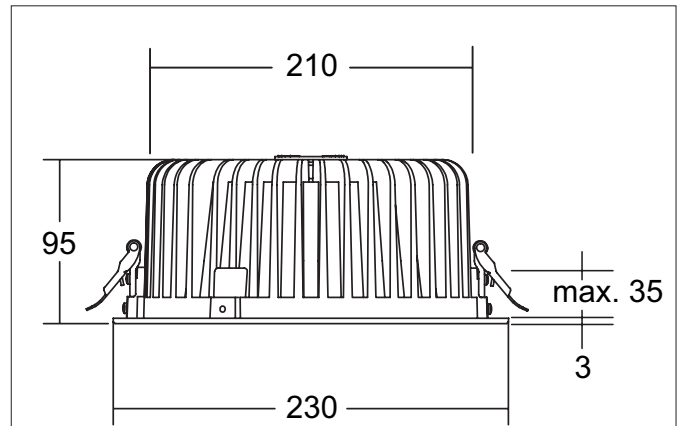


**KACIE MAXI LED recessed downlight, DALI dimmable**

Article no. 12553184


**Tender**

LED recessed downlight, DALI dimmable, Round. Toolless ceiling installation by installation springs. Ceiling cut-out  $\varnothing$  210 mm, Installation depth 95 mm, Outer diameter 230 mm, Weight 1,175 kg, Reflector silver with rotationssymmetrical, deep, wide distributed light intensity. Cover polycarbonat opal. Luminous flux 3.190 lm, UGR < 22, Power 1 x 34 W, Light colour neutral white, Correlated color temperature (CCT) 4.000 K, Colour rendering index CRI > 90, Rated life time L70/B10 at 25 °C: 50.000 h, Rated life time L70/B50 at 25 °C: 50.000 h, Housing material: Aluminium / Polycarbonate / Steel, Colour: Black structure, Permissible ambient temperature (ta): -20 °C - +25 °C, Protection class (EN 61140): II, Degree of protection (DIN EN 60529): IP20. With electronic driver, DALI-2 dimmable.

**Product Benefits**

- Round recessed downlight made of massive aluminum with generously dimensioned thermal management.
- High-quality reflector and additional recessed opal diffusing lens made of polycarbonate.
- Easy and tool-free mounting.
- CRI > 90, UGR < 22 (on request also in UGR < 19).
- Low installation depth of 95 mm - diameter of 230 mm, ceiling cut-out 210 mm.
- DALI dimmable.

**KACIE MAXI LED recessed downlight, DALI dimmable**

Article no. 12553184

Article data	
Article no.	12553184
GTIN	4251433937852
Series name	KACIE MAXI
Short description	LED recessed downlight, DALI dimmable
Material	Aluminium / Polycarbonate / Steel
Colour	Black
Type of surface	Structure
Shape	Round
Outer diameter	230 mm
Built-in diameter	210 mm
Installation depth	95 mm
Hight	3 mm
Scope of delivery	Incl. converter for connection to 230 V mains voltage, DALI dimmable
Weight	1.175 kg
Conformance	CE, UKCA

Lighting technology	
Colour temperature	4.000 K
Light colour	White
Light output	Direct
Luminous flux	3,190 lm
System efficiency	94 lm/W
Colour rendering	CRI > 90
Reflector	Faceted
Reflector colour	silver
Beam angle	70°
Glare evaluation	UGR < 22
Light sharing	Symmetric
Adjustable color temperature	No

Operating technology of the luminaire	
System output	34 W
Voltage type	AC
AC nominal voltage max	230 V
Frequency max	50 Hz
Lamp	LED
Protection class	II
Degree of protection	IP20
Dimmable	Yes
Control	DALI-2
Bulb change possible	The light source of this luminaire may only be replaced by the manufacturer or a service technician commissioned by him or a similarly qualified person.
Rated life time L70/B50 at 25 °C	50,000 h

Mounting technology	
Mounting method	Recessed mounting
Place of installation	Ceiling-mounted
Adjustability	Not adjustable
Max. ceiling thickness	35 mm
Further references	No cover with thermal insulation material
Material cover	Polycarbonat opal
Suitable for through-wiring	Yes, with optional accessories

**KACIE MAXI LED recessed downlight, DALI dimmable**

Article no. 12553184

Packing data	
Gross weight	1.401 kg
Length of packaging	260 mm
Packaging width	235 mm
Packaging height	195 mm
Disposal at end of life	<p>This product must not be disposed of with household waste. You are obliged, to dispose of such electrical waste separately.</p> <p>By disposing of electrical waste and other old or defective electronics separately, you support recycling or other forms of re-use. In that way you help to take care and to avoid that harmful substances get into the environment.</p>

Optional accessories	
Article no.: 81027180	Reducing ring for recessed downlight
Dimensions: 300 mm x 1.5 mm	<a href="https://www.brumberg.com/fileadmin/products/Datenblatt_81027180_2021_DE.pdf">https://www.brumberg.com/fileadmin/products/Datenblatt_81027180_2021_DE.pdf</a>
Article no.: 83331000	Connection box 230 V AC, 5-pole (DALI / 1-10 V)
Dimensions: 95 mm x 55 mm x 30 mm	<a href="https://www.brumberg.com/fileadmin/products/Datenblatt_83331000_2021_DE.pdf">https://www.brumberg.com/fileadmin/products/Datenblatt_83331000_2021_DE.pdf</a>