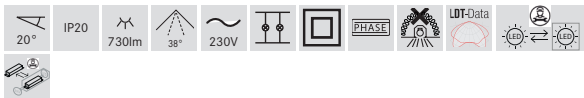
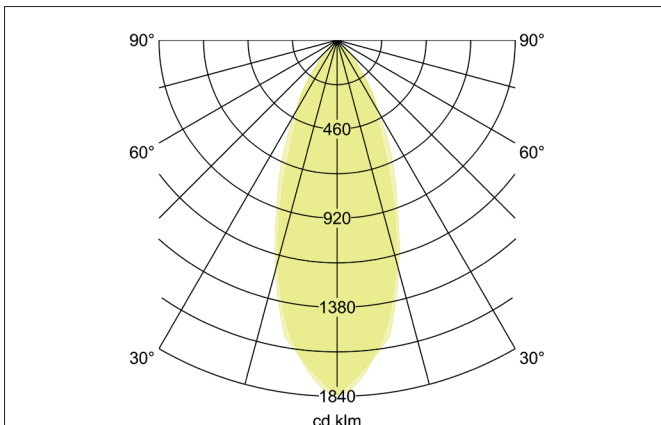
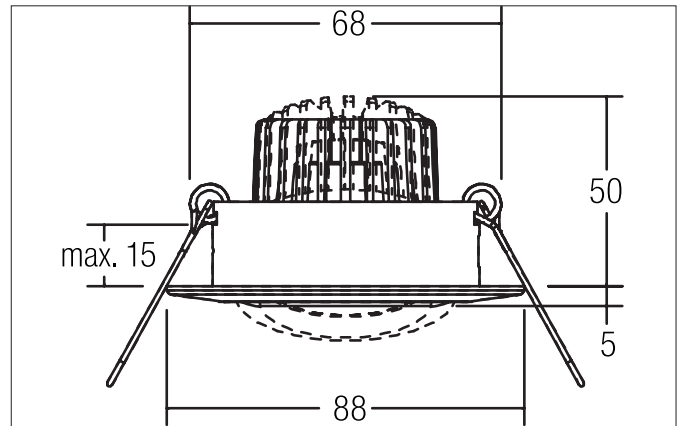


**BREENA-R LED recessed spot set, trailing-edge phase dimmable**

Article no. 39141153


**Tender**

Round LED recessed spotlight set, dimmable trailing edge, tool-free ceiling installation using installation springs. Ceiling cut-out  $\varnothing$  68 mm, installation depth 50 mm, outer diameter 88 mm, weight 0.301 kg, silver reflector with rotationally symmetrical deep-wide beam light distribution. Cover glass transparent, rated luminous flux 730 lm, rated wattage 1 x 6 W, luminaire luminous efficacy 122 lm/W, light color warm white, most similar color temperature (CCT) 3,000 K, general color rendering index CRI > 80, housing material: aluminum / glass, color: nickel, permissible ambient temperature (ta): -20 °C - +25 °C, protection class (EN 61140): II, degree of protection (DIN EN 60529): IP20. With electronic control gear, trailing edge dimmable.

**Product Benefits**

- LED recessed spotlight in round design made of solid cast zinc and cast aluminum with 6 W LED module (3,000 K) and dimmable converter (phase cut-off).
- Ceiling cut-out 68 mm, diameter 88 mm, installation depth 50 mm, IP20.
- Pivoting range 25°.
- Without visible snap ring.
- Classic, formally restrained design.
- Also available in the same look in GX5.3 or GU10 versions and as a switchable set.

**BREENA-R LED recessed spot set, trailing-edge phase dimmable**

Article no. 39141153

Article data	
Article no.	39141153
GTIN	4251433950776
Series name	BREENA-R
Short description	LED recessed spot set, trailing-edge phase dimmable
Material	Aluminium / Glass
Colour	Nickel
Type of surface	Matt
Shape	Round
Outer diameter	88 mm
Built-in diameter	68 mm
Installation depth	50 mm
Hight	5 mm
Weight	0.301 kg
Conformance	CE, UKCA

Lighting technology	
Colour temperature	3.000 K
Light colour	White
Light output	Direct
Luminous flux	730 lm
System efficiency	122 lm/W
Colour rendering	CRI > 80
Reflector	Faceted
Reflector colour	silver
Beam angle	38°
Light sharing	Symmetric
Adjustable color temperature	No

Operating technology of the luminaire	
Article No. of used light source	12924383
Hight	32 mm
Diameter	50 mm
Lamp holder	Plug&Play
Power	6 W
Voltage type	DC
Current	350 mA
Lamp	LED
Protection class	III
Degree of protection	IP20
Energy efficiency class	D
Bulb change possible	The light source of this luminaire may only be replaced by the manufacturer or a service technician commissioned by him or a similarly qualified person.

**BREENA-R LED recessed spot set, trailing-edge phase dimmable**

Article no. 39141153

Operating technology of driver	
Article No. of used driver	17663000
Length	110 mm
Width	50 mm
Hight	19 mm
AC nominal voltage min	198 V
AC nominal voltage max	264 V
Frequency max	60 Hz
Dimmable	Yes
Control	Trailing-edge phase
Starting current	1 A, 15,2 $\mu$ s
Power min	2.8 W
Power	7 W
Output current	350 mA
Degree of protection	IP20
Protection class	II
Flicker-free	Yes

Mounting technology	
Mounting method	Recessed mounting
Place of installation	Ceiling-mounted
Adjustability	Pivoted
Swivel angle	20°
Max. ceiling thickness	15 mm
Further references	No cover with thermal insulation material
Material cover	Glass transparent
Circlip	Without circlip
Suitable for through-wiring	Yes, with optional accessories

Packing data	
Gross weight	0.358 kg
Length of packaging	100 mm
Packaging width	100 mm
Packaging hight	100 mm
Disposal at end of life	This product must not be disposed of with household waste. You are obliged, to dispose of such electrical waste separately. By disposing of electrical waste and other old or defective electronics separately, you support recycling or other forms of re-use. In that way you help to take care and to avoid that harmful substances get into the environment.

**BREENA-R LED recessed spot set, trailing-edge phase dimmable**

Article no. 39141153

**Optional accessories**

Article no.: 81204150

Reducing ring D 110 mm, for luminaire cut-out size 68 mm

[https://www.brumberg.com/fileadmin/products/Datenblatt\\_81204150\\_2021\\_DE.pdf](https://www.brumberg.com/fileadmin/products/Datenblatt_81204150_2021_DE.pdf)

Article no.: 81205150

Reducing ring D 130 mm, for luminaire cut-out size 68 mm

[https://www.brumberg.com/fileadmin/products/Datenblatt\\_81205150\\_2021\\_DE.pdf](https://www.brumberg.com/fileadmin/products/Datenblatt_81205150_2021_DE.pdf)

Article no.: 81206150

Reducing ring D 145 mm, for luminaire cut-out size 68 mm

[https://www.brumberg.com/fileadmin/products/Datenblatt\\_81206150\\_2021\\_DE.pdf](https://www.brumberg.com/fileadmin/products/Datenblatt_81206150_2021_DE.pdf)

Article no.: 83330000

Connection box 230 V AC, 3-pole

Dimensions: 80 mm x 41 mm x 34 mm

[https://www.brumberg.com/fileadmin/products/Datenblatt\\_83330000\\_2021\\_DE.pdf](https://www.brumberg.com/fileadmin/products/Datenblatt_83330000_2021_DE.pdf)