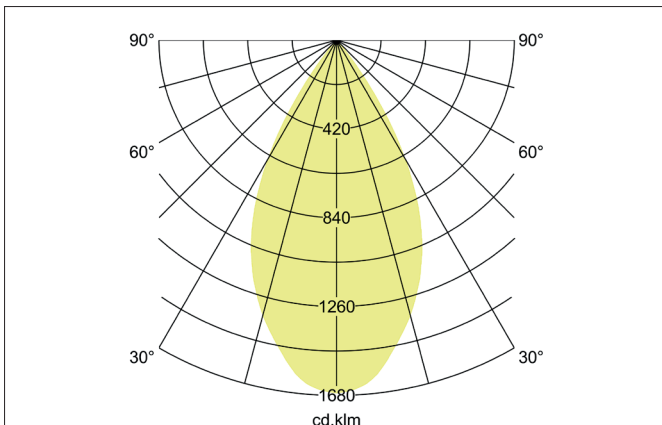
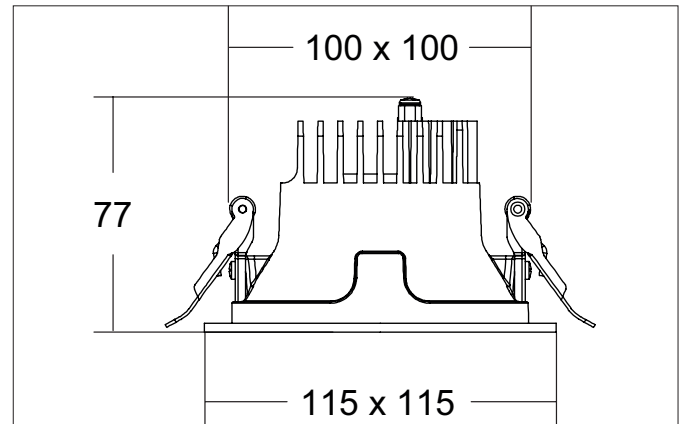
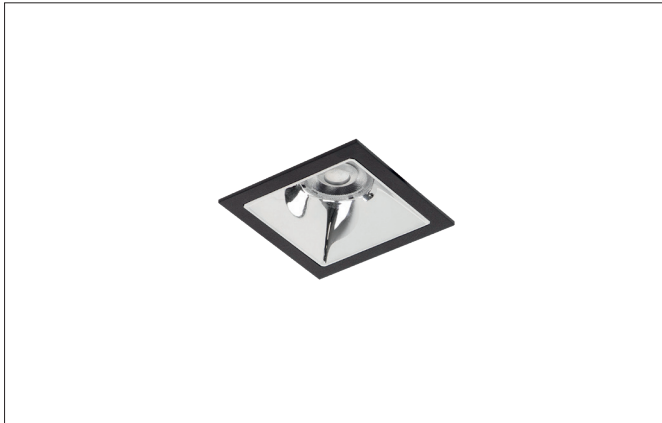


APOLLO MINI LED downlight, square, on/off switchable

Article no. 40642185

Light.
For Generations.**Tender**

LED downlight, square, on/off switchable, Square. Toolless ceiling installation by installation springs. Ceiling cut-out L x W 100 x 100 mm, Installation depth 77 mm, Length 115 mm, Width 115 mm, Weight 0,290 kg, Reflector silver with rotationssymmetrical, deep, wide distributed light intensity. optimal light distribution due to a plastic, transparent cover. Luminous flux 1.391 lm, Power 1 x 10,5 W, Light colour neutral white, Correlated color temperature (CCT) 3.500 K, Colour rendering index CRI > 90, Rated life time L80/B10 at 25 °C: 50.000 h, Rated life time L80/B50 at 25 °C: 50.000 h, Housing material: Aluminium / Glass / Plastic, Colour: Black structure, Permissible ambient temperature (ta): -20 °C - +25 °C, Protection class (EN 61140): II, Degree of protection (DIN EN 60529): IP20, .With electronic driver, on/off switchable.

| Article data | |
|--------------------|--|
| Article no. | 40642185 |
| GTIN | 4251433980544 |
| Series name | APOLLO MINI |
| Short description | LED downlight, square, on/off switchable |
| Material | Aluminium / Glass / Plastic |
| Colour | Black |
| Type of surface | Structure |
| Shape | Square |
| Built-in width | 100 mm |
| Built-in length | 100 mm |
| Installation depth | 77 mm |
| Length | 115 mm |
| Width | 115 mm |
| Weight | 0.290 kg |

APOLLO MINI LED downlight, square, on/off switchable

Article no. 40642185

Light.
For Generations.

| Lighting technology | |
|------------------------------|------------|
| Colour temperature | 3.500 K |
| Light colour | White |
| Light output | Direct |
| Luminous flux | 1,391 lm |
| System efficiency | 132 lm/W |
| Colour rendering | CRI > 90 |
| Reflector | High-gloss |
| Reflector colour | silver |
| Beam angle | 55° |
| Light sharing | Symmetric |
| Adjustable color temperature | No |

| Operating technology of the luminaire | |
|---------------------------------------|--|
| System output | 10.5 W |
| Voltage type | AC |
| AC nominal voltage max | 230 V |
| Frequency max | 50 Hz |
| Lamp | LED |
| Lamp holder | Without fitting |
| Protection class | II |
| Degree of protection | IP20 |
| Control | on/off |
| Bulb change possible | The light source of this luminaire may only be replaced by the manufacturer or a service technician commissioned by him or a similarly qualified person. |
| Rated life time L80/B10 at 25 °C | 50.000 h |
| Rated life time L80/B50 at 25 °C | 50.000 h |

| Mounting technology | |
|-----------------------------|---|
| Mounting method | Recessed mounting |
| Place of installation | Ceiling-mounted |
| Adjustability | Not adjustable |
| stamp | UKCA |
| Further references | No cover with thermal insulation material |
| Material cover | Plastic, transparent |
| Suitable for through-wiring | No |

| Packing data | |
|-------------------------|---|
| Gross weight | 0.34 kg |
| Length of packaging | 115 mm |
| Packaging width | 115 mm |
| Packaging height | 76 mm |
| Disposal at end of life | This product must not be disposed of with household waste. You are obliged, to dispose of such electrical waste separately. By disposing of electrical waste and other old or defective electronics separately, you support recycling or other forms of re-use. In that way you help to take care and to avoid that harmful substances get into the environment. |

| Required accessories | |
|----------------------|--|
| | |