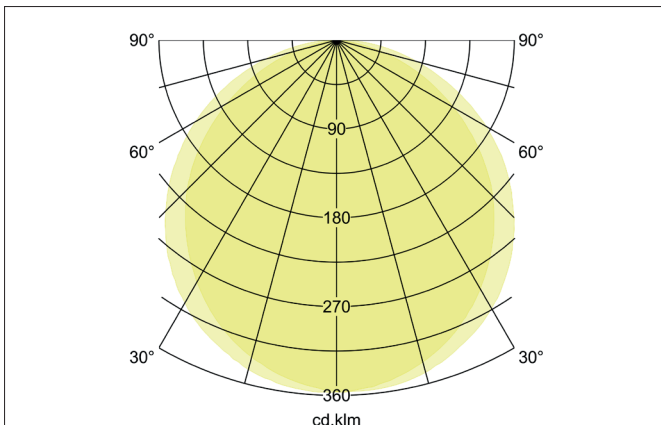
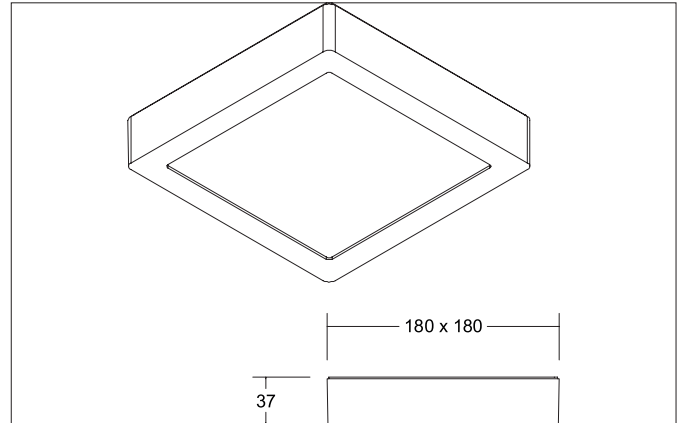


FLAT37 LED surface mounted panel

Article no. 12249073

Light.
For Generations.**Tender**

LED surface mounted panel, Square. Luminaire length 180.0 mm, Luminaire width 180.0 mm, Height 37.0 mm Weight 0.925 kg, with rotational-symmetrical, deep, wide distributed light intensity. optimal light distribution due to a plastic, opal cover. Luminous flux 1.290 lm, Power 1 x 18 W, Light colour warm white, Correlated color temperature (CCT) 3.000 K, Colour rendering index CRI > 80, Housing material: Aluminium / Plastic, Colour: White, Permissible ambient temperature (ta): -20 °C - +25 °C, Protection class (EN 61140): I, Degree of protection (DIN EN 60529): IP20, .With electronic driver, on/off switchable.

Article data	
Article no.	12249073
GTIN	4251433925866
Series name	FLAT37
Short description	LED surface mounted panel
Material	Aluminium / Plastic
Colour	White
Type of surface	Matt
Shape	Square
Length	180 mm
Width	180 mm
Height	37 mm
Scope of delivery	Incl. converter for connection to 230 V mains voltage and connection terminal for through wiring
Weight	0.925 kg

FLAT37 LED surface mounted panel

Article no. 12249073

Light.
For Generations.

Lighting technology	
Colour temperature	3.000 K
Light colour	White
Light output	Direct
Luminous flux	1,290 lm
System efficiency	72 lm/W
Colour rendering	CRI > 80
Reflector	Without
Beam angle	100°
Light sharing	Symmetric
Adjustable color temperature	No

Operating technology of the luminaire	
System output	18 W
Voltage type	AC
AC nominal voltage max	230 V
Frequenz max.	50 Hz
Lamp	LED
Lamp holder	Without fitting
Protection class	I
Degree of protection	IP20
Dimmable	No
Control	on/off
Bulb change possible	The light source of this luminaire may only be replaced by the manufacturer or a service technician commissioned by him or a similarly qualified person.

Mounting technology	
Mounting method	Surface mounting
Place of installation	Ceiling-mounted
Adjustability	Not adjustable
stamp	UKCA
Material cover	Plastic, opal
Suitable for through-wiring	Yes

Packing data	
Gross weight	1.005 kg
Length of packaging	185 mm
Packaging width	45 mm
Packaging height	190 mm
Disposal at end of life	This product must not be disposed of with household waste. You are obliged, to dispose of such electrical waste separately. By disposing of electrical waste and other old or defective electronics separately, you support recycling or other forms of re-use. In that way you help to take care and to avoid that harmful substances get into the environment.