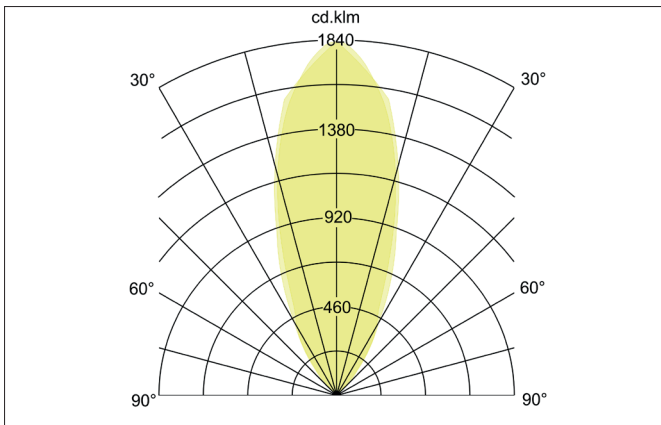
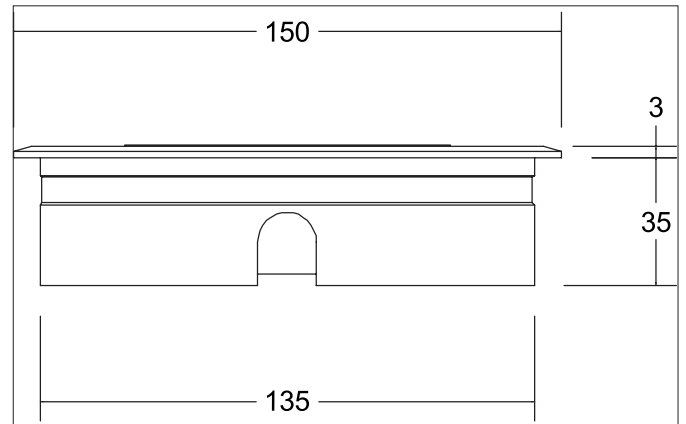


HYBRIDE FLAT LED-floor recessed light, V4A, IP67

Article no. 14036223

Light.
For Generations.**Tender**

LED-floor recessed light, V4A, IP67, Round. Ceiling cut-out Ø 135 mm, Installation depth 35 mm, Outer diameter 150 mm, Weight 1,037 kg, with rotationssymmetrical, deep, wide distributed light intensity. optimal light distribution due to a glass transparent cover. Luminous flux 890 lm, Power 1 x 12 W, System Efficiency 74 lm/W, Light colour warm white, Correlated color temperature (CCT) 3.000 K, Colour rendering index CRI > 80, Housing material: Stainless steel V4A / Aluminium / Glass, Colour: Stainless steel, Permissible ambient temperature (ta): -20 °C - +25 °C, Protection class (EN 61140): III, Degree of protection (DIN EN 60529): IP67, shock resistance according to IEC62262: IK08. For connection to an external driver, which is not included in the scope of delivery of the luminaire. on/off switchable.

Article data	
Article no.	14036223
GTIN	4251433925576
Series name	HYBRIDE FLAT
Short description	LED-floor recessed light, V4A, IP67
Material	Stainless steel V4A / Aluminium / Glass
Colour	Stainless steel
Shape	Round
Outer diameter	150 mm
Built-in diameter	135 mm
Installation depth	35 mm
Scope of delivery	Including 1,000 mm connecting cable with Aquastop and ceiling mounting springs
Weight	1.037 kg
Length of the connection line	1,000 mm

HYBRIDE FLAT LED-floor recessed light, V4A, IP67

Article no. 14036223


Light.
For Generations.

Lighting technology	
Colour temperature	3.000 K
Light colour	White
Luminous flux	890 lm
System efficiency	74 lm/W
Colour rendering	CRI > 80
Beam angle	30°
Light sharing	Symmetric

Operating technology of the luminaire	
System output	12 W
Voltage type	DC
Lamp	LED
Protection class	III
Degree of protection	IP67
Dimmable	No
Control	on/off
Length of the connection line	1,000 mm
Design of the connecting cable	lateral
Bulb change possible	The light source of this luminaire may only be replaced by the manufacturer or a service technician commissioned by him or a similarly qualified person.

Mounting technology	
Mounting method	Recessed mounting
Place of installation	Floor-mounted
Adjustability	Not adjustable
Max. load	1,000 kg
Over rollable	No
Impact resistance	IK08
Further references	V4A
Material cover	Glass transparent
Suitable for through-wiring	Yes

Packing data	
Gross weight	1.098 kg
Length of packaging	155 mm
Packaging width	155 mm
Packaging height	45 mm
Disposal at end of life	This product must not be disposed of with household waste. You are obliged, to dispose of such electrical waste separately. By disposing of electrical waste and other old or defective electronics separately, you support recycling or other forms of re-use. In that way you help to take care and to avoid that harmful substances get into the environment.

Accessories	
	Article no.: 17207000 LED power supply 24 V DC, on/off switchable Power: 1 - 30 W Dimensions: 160 mm x 50 mm x 22 mm