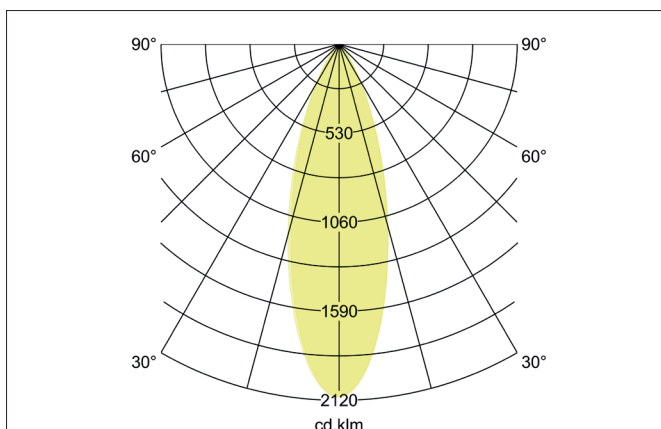
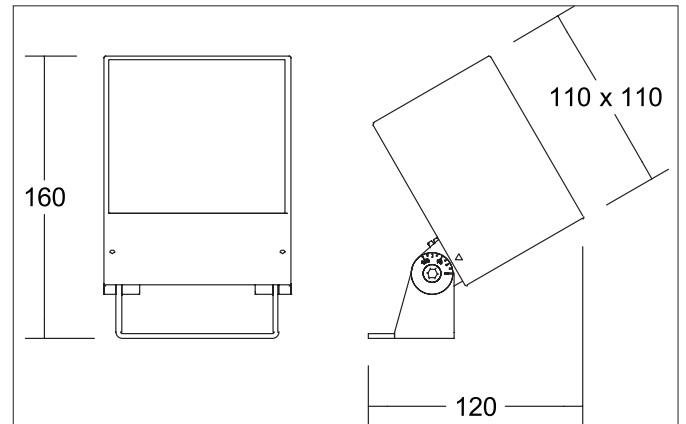


BLOKK LED surface-mounted spot, IP65

Article no. 60112103


Tender

LED surface-mounted spot, IP65, Square. Luminaire length 110.0 mm, Luminaire width 110.0 mm, Hight 160.0 mm Weight 1.651 kg, Cover glass transparent. Luminous flux 1.600 lm, Power 1 x 20 W, Light colour warm white, Correlated color temperature (CCT) 3.000 K, Colour rendering index CRI > 80, Housing material: Aluminium / Glass, Colour: Graphite, Permissible ambient temperature (ta): -20 °C - +25 °C, Protection class (EN 61140): I, Degree of protection (DIN EN 60529): IP65, shock resistance according to IEC62262: IK06 .With electronic driver, on/off switchable.

Article data	
Article no.	60112103
GTIN	4251433925712
Series name	BLOKK
Short description	LED surface-mounted spot, IP65
Material	Aluminium / Glass
Colour	Graphite
Shape	Square
Length	110 mm
Width	110 mm
Hight	160 mm
Scope of delivery	Incl. converter for connection to the 230-V mains voltage, on/off switchable and 2,000 mm connecting cable
Weight	1.651 kg
Length of the connection line	3,000 mm
Conformance	CE, UKCA

BLOKK LED surface-mounted spot, IP65

Article no. 60112103

Lighting technology	
Colour temperature	3.000 K
Light colour	White
Luminous flux	1,600 lm
System efficiency	76 lm/W
McAdam-Step	McAdam-Step 3
Colour rendering	CRI > 80
Beam angle	32°
Adjustable color temperature	No

Operating technology of the luminaire	
System output	21 W
Voltage type	AC
AC nominal voltage max	230 V
Frequency max	50 Hz
Lamp	LED
Lamp holder	Without fitting
Protection class	I
Degree of protection	IP65
Wire number	3
Control	on/off
Length of the connection line	3,000 mm
Bulb change possible	The light source of this luminaire may only be replaced by the manufacturer or a service technician commissioned by him or a similarly qualified person.

Mounting technology	
Mounting method	Surface mounting
Place of installation	Floor-mounted
Adjustability	Pivoted
Swivel angle	90°
Impact resistance	IK06
Material cover	Glass transparent

Packing data	
Gross weight	1.757 kg
Length of packaging	155 mm
Packaging width	150 mm
Packaging height	150 mm
Disposal at end of life	This product must not be disposed of with household waste. You are obliged, to dispose of such electrical waste separately. By disposing of electrical waste and other old or defective electronics separately, you support recycling or other forms of re-use. In that way you help to take care and to avoid that harmful substances get into the environment.

BLOKK LED surface-mounted spot, IP65

Article no. 60112103

Optional accessoriesArticle no.: 81021000
Ground spike for 60112...

Dimensions: 65 mm x 225 mm

https://www.brumberg.com/fileadmin/products/Datenblatt_81021000_2021_DE.pdfArticle no.: 81022000
Mounting strap for 60112...

Dimensions: 80 mm x 60 mm x 25 mm

https://www.brumberg.com/fileadmin/products/Datenblatt_81022000_2021_DE.pdfArticle no.: 81023000
Floor anchor to 60112...

Dimensions: 172 mm

https://www.brumberg.com/fileadmin/products/Datenblatt_81023000_2021_DE.pdf