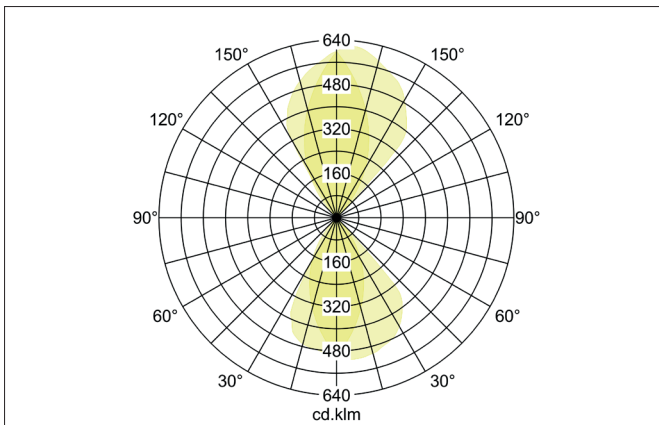
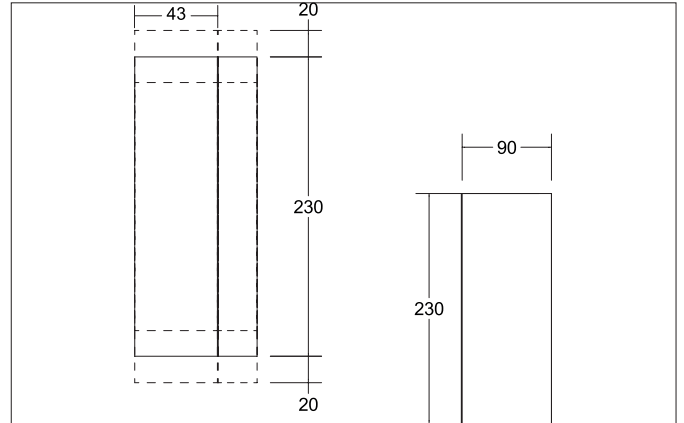


CLIQ LED wall surface mounted luminaire, IP65
Article no. 60127183

Light.
For Generations.



Tender

LED wall surface mounted luminaire, IP65, Rectangular. Luminaire length 230.0 mm, Luminaire width 43.0 mm, Height 90.0 mm Weight 0.933 kg, optimal light distribution due to a glass transparent cover. Luminous flux 790 lm, Power 2 x 9,2 W, Light colour warm white, Correlated color temperature (CCT) 3.000 K, Colour rendering index CRI > 90, Housing material: Aluminium / Glass, Colour: Black structure, Permissible ambient temperature (ta): -20 °C - +25 °C, Protection class (EN 61140): I, Degree of protection (DIN EN 60529): IP65 when installing in closed ceilings, .With electronic driver, on/off switchable.

Article data	
Article no.	60127183
GTIN	4251433950127
Series name	CLIQ
Short description	LED wall surface mounted luminaire, IP65
Material	Aluminium / Glass
Colour	Black
Type of surface	Structure
Shape	Rectangular
Length	230 mm
Width	43 mm
Height	90 mm
Scope of delivery	Incl. converter for connection to the 230-V mains voltage, on/off switchable
Weight	0.933 kg

CLIQ LED wall surface mounted luminaire, IP65

Article no. 60127183

Light.
For Generations.

Lighting technology	
Colour temperature	3.000 K
Light colour	White
Light output	Direct/Indirect
Luminous flux	790 lm
System efficiency	86 lm/W
Colour rendering	CRI > 90
Reflector	High-gloss
Beam angle	50°
Light sharing	
Adjustable color temperature	No

Operating technology of the luminaire	
System output	9.2 W
Voltage type	AC
AC nominal voltage max	230 V
Frequenz max.	50 Hz
Lamp	LED
Lamp holder	Without fitting
Protection class	I
Degree of protection	IP65
Control	on/off
Bulb change possible	The light source of this luminaire may only be replaced by the manufacturer or a service technician commissioned by him or a similarly qualified person.

Mounting technology	
Mounting method	Surface mounting
Place of installation	Wall-mounted
Adjustability	Not adjustable
stamp	UKCA
Material cover	Glass transparent
Suitable for through-wiring	Yes

Packing data	
Gross weight	1.073 kg
Length of packaging	260 mm
Packaging width	120 mm
Packaging height	115 mm
Disposal at end of life	This product must not be disposed of with household waste. You are obliged, to dispose of such electrical waste separately. By disposing of electrical waste and other old or defective electronics separately, you support recycling or other forms of re-use. In that way you help to take care and to avoid that harmful substances get into the environment.