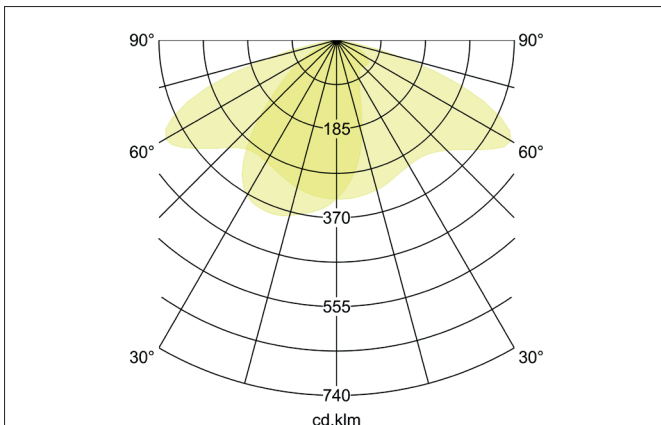
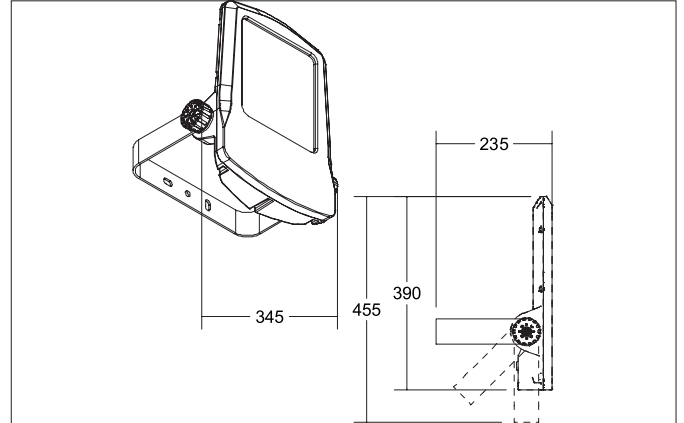


MATRIX MINI LED flood light, IP66

Article no. 60804644

Light.
For Generations.**Tender**

LED flood light, IP66, Rectangular. Weight 6.347 kg, asymmetric optimal light distribution due to a glass transparent cover. Luminous flux 8.466 lm, Power 1 x 50 W, Light colour neutral white, Correlated color temperature (CCT) 4.000 K, Colour rendering index CRI > 80, Rated life time L80/B10 at 25 °C: 50.000 h, Housing material: Aluminium / Glass, Colour: Titanium, Permissible ambient temperature (ta): -25 to 50°, Protection class (EN 61140): I, Degree of protection (DIN EN 60529): IP66, shock resistance according to IEC62262: IK08. With electronic driver, on/off switchable.

Product Benefits

- 5-year Brumberg lighting warranty.
- High efficiency
- Dust and waterproof with IP66.
- Internal cooling pins for optimal heat dissipation and long product life.
- Extreme temperature resistant (-25° C and +50° C).
- Wall and pole mounting possible (via accessories).
- Powerful with 20 W, 50 W or 100 W.
- Corrosion-resistant die-cast aluminum housing.
- Symmetrical light distribution, beam angle 100°, others available on request.
- Asymmetrical light distribution, beam angle 30 x 110°.
- Color temperatures: 3000 K, 4000 K.

MATRIX MINI LED flood light, IP66

Article no. 60804644

Light.
For Generations.

Article data	
Article no.	60804644
GTIN	425 1433953333
Series name	MATRIX MINI
Short description	LED flood light, IP66
Material	Aluminium / Glass
Colour	Titanium
Shape	Rectangular
Scope of delivery	incl. converter for connection to 230 V mains voltage, switchable, 800 mm connection cable, cable connector 3-pole and pressure compensation valve.
Weight	6.347 kg
Length of the connection line	800 mm

Lighting technology	
Colour temperature	4.000 K
Light colour	White
Light output	Direct
Luminous flux	8,466 lm
System efficiency	169 lm/W
McAdam-Step	McAdam-Step 3
Colour rendering	CRI > 80
Luminaire optics	Lens
Beam angle	110°
Beam angle 2 asymmetrical	30°
Light sharing	Asymmetric
Adjustable color temperature	No

Operating technology of the luminaire	
System output	50 W
Voltage type	AC
AC nominal voltage max	230 V
Frequenz max.	50 Hz
Lamp	LED
Lamp holder	Without fitting
Protection class	I
Degree of protection	IP66
Ambient temperature	-25 up to 50°
Control	on/off
Length of the connection line	800 mm
Bulb change possible	The light source of this luminaire may only be replaced by the manufacturer or a service technician commissioned by him or a similarly qualified person.

Mounting technology	
Mounting method	Surface mounting
Place of installation	Wall-mounted
Adjustability	Pivoted
Impact resistance	IK08
stamp	UKCA
Material cover	Glass transparent
Suitable for through-wiring	No

MATRIX MINI LED flood light, IP66

Article no. 60804644

Light.
For Generations.

Packing data	
Gross weight	7.06 kg
Length of packaging	450 mm
Packaging width	360 mm
Packaging height	120 mm
Disposal at end of life	<p>This product must not be disposed of with household waste. You are obliged, to dispose of such electrical waste separately.</p> <p>By disposing of electrical waste and other old or defective electronics separately, you support recycling or other forms of re-use. In that way you help to take care and to avoid that harmful substances get into the environment.</p>

Required accessories	
----------------------	--