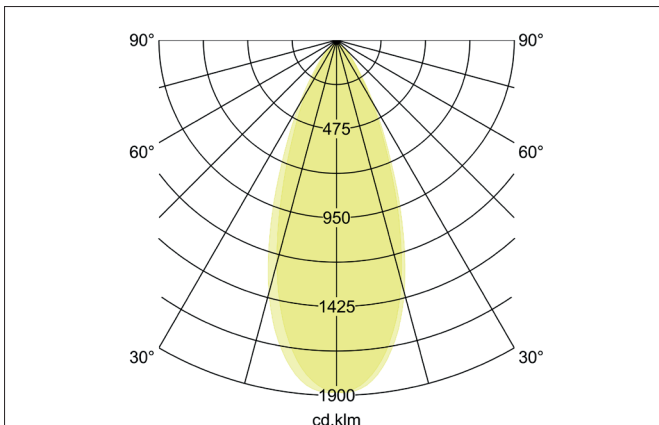
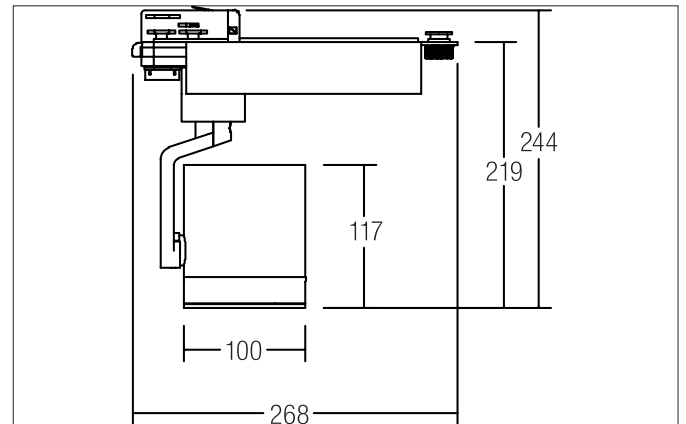


**CORE LED track spotlight**

Article no. 88373174

Light.  
For Generations.**Tender**

LED track spotlight, Round. Luminaire diameter 100.0 mm, Height 245.0 mm Weight 1.43 kg, with rotationssymmetrical, deep, wide distributed light intensity. Luminous flux 2.600 lm, Power 1 x 32 W, Light colour neutral white, Correlated color temperature (CCT) 4.000 K, Colour rendering index CRI > 80, Housing material: Aluminium / Glass / Plastic, Colour: White, Permissible ambient temperature (ta): -20 °C - +25 °C, Protection class (EN 61140): I, Degree of protection (DIN EN 60529): IP20, .With electronic driver, on/off switchable.

Article data	
Article no.	88373174
GTIN	4250047731818
Series name	CORE
Short description	LED track spotlight
Material	Aluminium / Glass / Plastic
Colour	White
Type of surface	Matt
Shape	Round
Outer diameter	100 mm
Width	230 mm
Height	245 mm
Weight	1.430 kg

**CORE LED track spotlight**

Article no. 88373174

Light.  
For Generations.

Lighting technology	
Colour temperature	4.000 K
Light colour	White
Luminous flux	2,600 lm
System efficiency	81 lm/W
Colour rendering	CRI > 80
Reflector	High-gloss
Beam angle	38°
Light sharing	Symmetric
Adjustable color temperature	No

Operating technology of the luminaire	
System output	32 W
Voltage type	AC
AC nominal voltage max	220 V
Frequenz max.	50 Hz
Lamp	LED
Lamp holder	Without fitting
Protection class	I
Degree of protection	IP20
Control	on/off
Bulb change possible	The light source of this luminaire may only be replaced by the manufacturer or a service technician commissioned by him or a similarly qualified person.

Mounting technology	
Mounting method	Surface mounting
Place of installation	Ceiling-mounted
Adjustability	Rotatable and adjustable head
Swivel angle	180°
Rotation angle	355°
Head adjustable angle	180°
Suitable for through-wiring	No

Packing data	
Gross weight	1.786 kg
Length of packaging	285 mm
Packaging width	275 mm
Packaging height	115 mm
Disposal at end of life	This product must not be disposed of with household waste. You are obliged, to dispose of such electrical waste separately. By disposing of electrical waste and other old or defective electronics separately, you support recycling or other forms of re-use. In that way you help to take care and to avoid that harmful substances get into the environment.