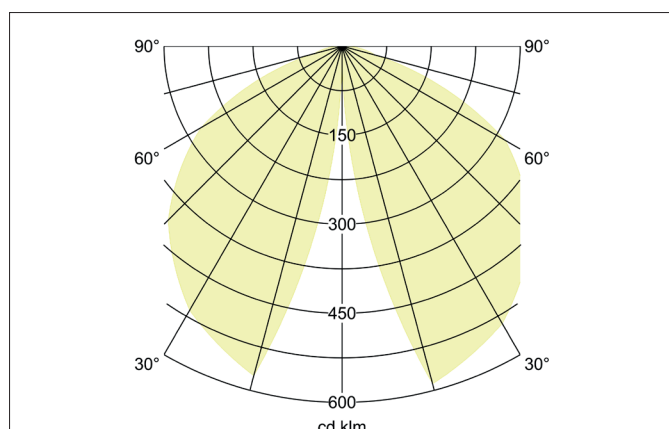
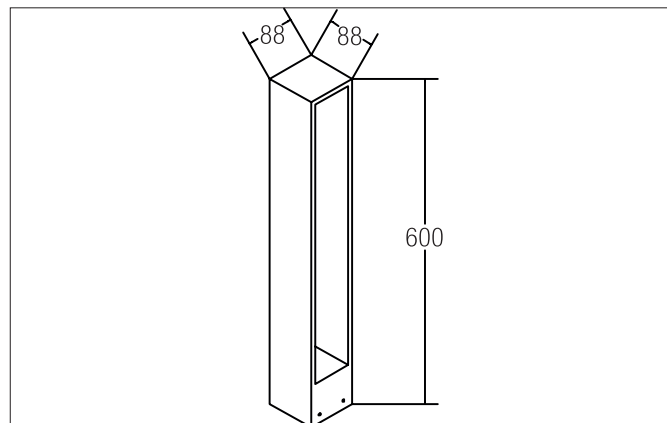


**TRIAN LED bollard light, IP54, height 600 mm**

Article no. 60007103


**Tender**

LED bollard light, IP54, height 600 mm, Other., Luminaire width 88.0 mm, Hight 600.0 mm Weight 3.204 kg, Cover glass transparent. Luminous flux 700 lm, Power 1 x 9 W, Light colour warm white, Correlated color temprature (CCT) 3.000 K, Colour rendering index CRI > 80, Housing material: Aluminium / Glass, Colour: Black, Permissible ambient temperature (ta): -20 - + 50, Protection class (EN 61140): I, Degree of protection (DIN EN 60529): IP54. With electronic driver, on/off switchable.

Article data	
Article no.	60007103
GTIN	4251433915386
Series name	TRIAN
Short description	LED bollard light, IP54, height 600 mm
Material	Aluminium / Glass
Colour	Black
Shape	Other
Width	88 mm
Hight	600 mm
Scope of delivery	Incl. converter for connection to the 230-V mains voltage
Weight	3.204 kg
Conformance	CE, UKCA

**TRIAN LED bollard light, IP54, height 600 mm**

Article no. 60007103

Lighting technology	
Colour temperature	3.000 K
Light colour	White
Luminous flux	700 lm
System efficiency	56 lm/W
Colour rendering	CRI > 80
Beam angle	120°

Operating technology of the luminaire	
System output	12.5 W
Voltage type	AC
AC nominal voltage max	230 V
Frequency max	50 Hz
Lamp	LED
Lamp holder	Without fitting
Protection class	I
Degree of protection	IP54
Ambient temperature	-20 - + 50
Control	on/off
Bulb change possible	The light source of this luminaire may only be replaced by the manufacturer or a service technician commissioned by him or a similarly qualified person.

Mounting technology	
Mounting method	Surface mounting
Place of installation	Floor-mounted
Adjustability	Not adjustable
Material cover	Glass transparent

Packing data	
Gross weight	3.485 kg
Length of packaging	150 mm
Packaging width	140 mm
Packaging height	665 mm
Disposal at end of life	This product must not be disposed of with household waste. You are obliged, to dispose of such electrical waste separately. By disposing of electrical waste and other old or defective electronics separately, you support recycling or other forms of re-use. In that way you help to take care and to avoid that harmful substances get into the environment.