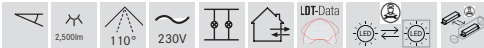
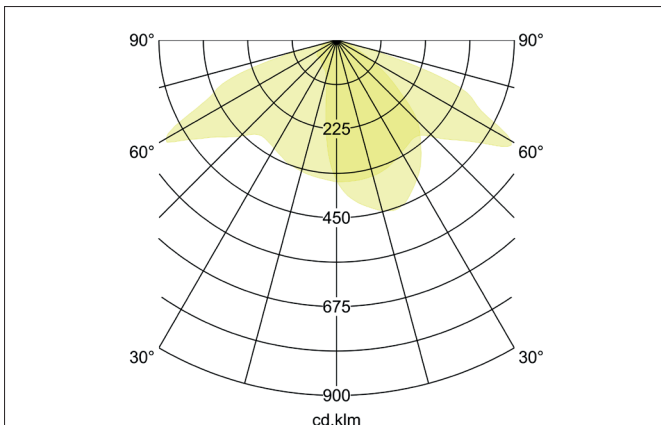
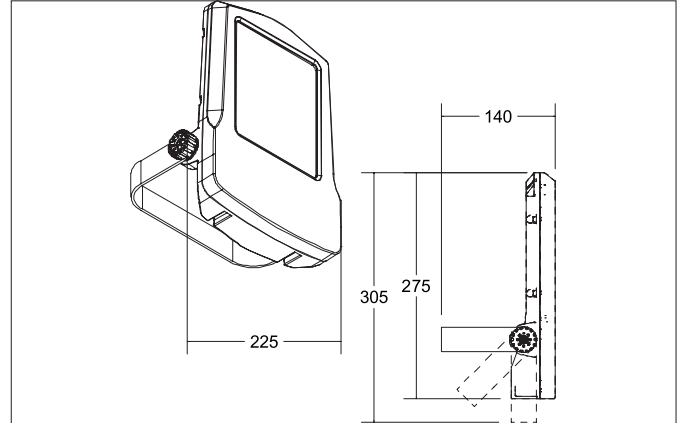


MATRIX MICRO LED flood light, IP66

Article no. 60802643

Light.
For Generations.**Tender**

LED flood light, IP66, Rectangular. Weight 2.348 kg, asymmetric optimal light distribution due to a glass transparent cover. Luminous flux 2.500 lm, Power 1 x 20 W, Light colour warm white, Correlated color temperature (CCT) 3.000 K, Colour rendering index CRI > 80, Rated life time L80/B10 at 25 °C: 50.000 h, Housing material: Aluminium / Glass, Colour: Titanium, Permissible ambient temperature (ta): -25 to 50°, Protection class (EN 61140): I, Degree of protection (DIN EN 60529): IP66, shock resistance according to IEC62262: IK08 .With electronic driver, on/off switchable.

Product Benefits

- 5-year Brumberg lighting warranty.
- High efficiency
- Dust and waterproof with IP66.
- Internal cooling pins for optimal heat dissipation and long product life.
- Extreme temperature resistant (-25° C and +50° C).
- Wall and pole mounting possible (via accessories).
- Powerful with 20 W, 50 W or 100 W.
- Corrosion-resistant die-cast aluminum housing.
- Symmetrical light distribution, beam angle 100°, others available on request.
- Asymmetrical light distribution, beam angle 30 x 110°.
- Color temperatures: 3000 K, 4000 K.

MATRIX MICRO LED flood light, IP66

Article no. 60802643

Light.
For Generations.

Article data	
Article no.	60802643
GTIN	4251433953319
Series name	MATRIX MICRO
Short description	LED flood light, IP66
Material	Aluminium / Glass
Colour	Titanium
Type of surface	Structure
Shape	Rectangular
Scope of delivery	incl. converter for connection to 230 V mains voltage, switchable, 800 mm connection cable, cable connector 3-pole and pressure compensation valve.
Weight	2.348 kg
Length of the connection line	800 mm

Lighting technology	
Colour temperature	3.000 K
Light colour	White
Light output	Direct
Luminous flux	2,500 lm
System efficiency	125 lm/W
McAdam-Step	McAdam-Step 3
Colour rendering	CRI > 80
Luminaire optics	Lens
Beam angle	110°
Beam angle 2 asymmetrical	30°
Light sharing	Asymmetric
Adjustable color temperature	No

Operating technology of the luminaire	
System output	20 W
Voltage type	AC
AC nominal voltage max	230 V
Frequency max	50 Hz
Lamp	LED
Lamp holder	Without fitting
Protection class	I
Degree of protection	IP66
Ambient temperature	-25 up to 50°
Dimmable	No
Control	on/off
Length of the connection line	800 mm
Bulb change possible	The light source of this luminaire may only be replaced by the manufacturer or a service technician commissioned by him or a similarly qualified person.
Rated life time L80/B10 at 25 °C	50.000 h


Mounting technology	
Mounting method	Surface mounting
Place of installation	Wall-mounted
Adjustability	Pivoted
Impact resistance	IK08
stamp	UKCA
Further references	Outdoor
Material cover	Glass transparent
Suitable for through-wiring	No

MATRIX MICRO LED flood light, IP66

Article no. 60802643

Light.
For Generations.

Packing data	
Gross weight	2.625 kg
Length of packaging	350 mm
Packaging width	250 mm
Packaging height	110 mm
Disposal at end of life	This product must not be disposed of with household waste. You are obliged, to dispose of such electrical waste separately. By disposing of electrical waste and other old or defective electronics separately, you support recycling or other forms of re-use. In that way you help to take care and to avoid that harmful substances get into the environment.

Accessories	
	Article no.: 81100640 Extension adapter to 60801, 60802... (Micro) Dimensions: 500 mm x 150 mm
	Article no.: 81120640 Mast bracket for 60801 ,60802...(Micro)