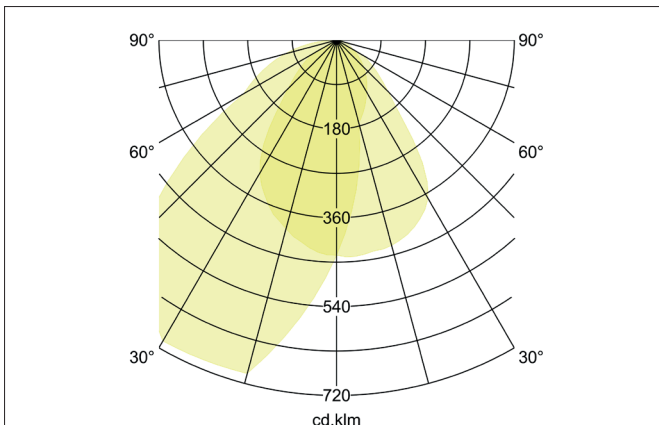
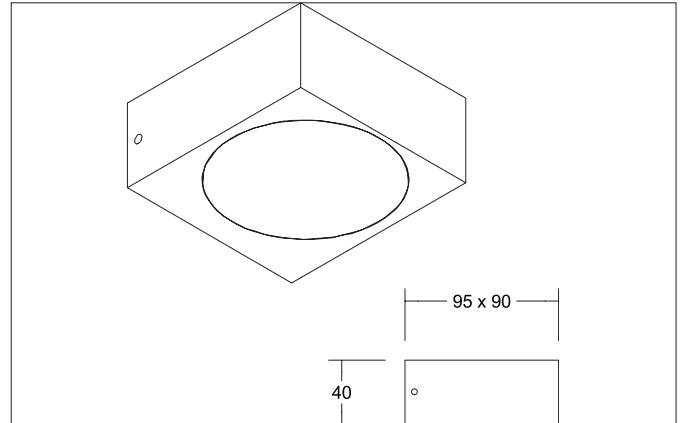


QUADER LED wall surface mounted luminaire, IP65, direct
Article no. 10120103

Light.
For Generations.



Tender

LED wall surface mounted luminaire, IP65, direct, Square. Luminaire length 95.0 mm, Luminaire width 90.0 mm, Hight 40.0 mm Weight 0.491 kg, asymmetric, Luminous flux 310 lm, Power 1 x 5 W, Light colour warm white, Correlated color temperature (CCT) 3.000 K, Colour rendering index CRI > 80, Housing material: Aluminium / Glass, Colour: Graphite, Permissible ambient temperature (ta): -20 °C - +25 °C, Protection class (EN 61140): I, Degree of protection (DIN EN 60529): IP65, .With electronic driver, on/off switchable.

Article data	
Article no.	10120103
GTIN	4251433926191
Series name	QUADER
Short description	LED wall surface mounted luminaire, IP65, direct
Material	Aluminium / Glass
Colour	Graphite
Shape	Square
Length	
Width	90 mm
Hight	40 mm
Scope of delivery	Incl. converter for connection to the 230-V mains voltage
Weight	0.491 kg

QUADER LED wall surface mounted luminaire, IP65, direct

Article no. 10120103

Light.
For Generations.

Lighting technology	
Colour temperature	3.000 K
Light colour	White
Luminous flux	310 lm
System efficiency	62 lm/W
Colour rendering	CRI > 80
Reflector	Without
Beam angle	60°
Light sharing	Asymmetric
Adjustable color temperature	No

Operating technology of the luminaire	
System output	5 W
Voltage type	AC
AC nominal voltage max	230 V
Frequenz max.	50 Hz
Lamp	LED
Lamp holder	Without fitting
Protection class	I
Degree of protection	IP65
Control	on/off
Bulb change possible	The light source of this luminaire may only be replaced by the manufacturer or a service technician commissioned by him or a similarly qualified person.

Mounting technology	
Mounting method	Surface mounting
Place of installation	Wall-mounted
Adjustability	Not adjustable
Suitable for through-wiring	No

Packing data	
Gross weight	0.588 kg
Length of packaging	150 mm
Packaging width	120 mm
Packaging height	60 mm
Disposal at end of life	This product must not be disposed of with household waste. You are obliged, to dispose of such electrical waste separately. By disposing of electrical waste and other old or defective electronics separately, you support recycling or other forms of re-use. In that way you help to take care and to avoid that harmful substances get into the environment.