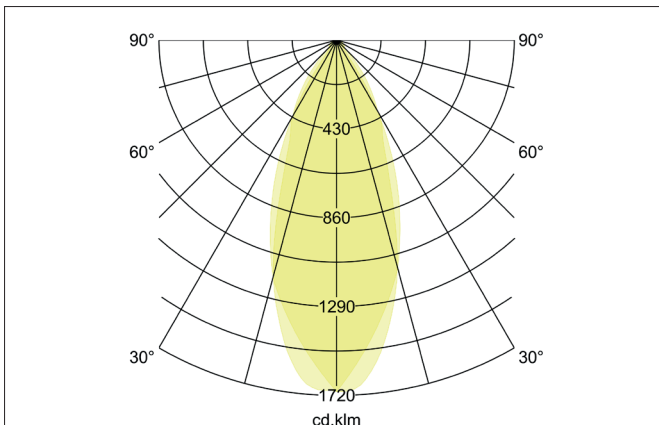
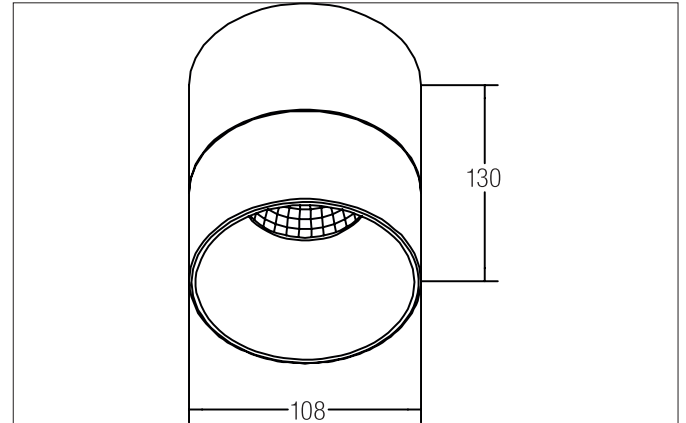


KEGON LED surface mounted downlight

Article no. 12221174

Light.
For Generations.**Tender**

LED surface mounted downlight, Round. Luminaire diameter 108.0 mm, Height 130.0 mm Weight 0.655 kg, with rotationssymmetrical, deep, wide distributed light intensity. optimal light distribution due to a plastic, structured cover. Luminous flux 1.100 lm, Power 1 x 15 W, Light colour neutral white, Correlated color temperature (CCT) 4.000 K, Colour rendering index CRI > 80, Housing material: Aluminium / Acrylic, Colour: White, Permissible ambient temperature (ta): -20 °C - +25 °C, Protection class (EN 61140): I, Degree of protection (DIN EN 60529): IP20, .For direct connection to mains voltage, on/off switchable.

Article data	
Article no.	12221174
GTIN	4251433930006
Series name	KEGON
Short description	LED surface mounted downlight
Material	Aluminium / Acrylic
Colour	White
Type of surface	Matt
Shape	Round
Outer diameter	108 mm
Height	130 mm
Weight	0.655 kg

KEGON LED surface mounted downlight

Article no. 12221174

Light.
For Generations.

Lighting technology	
Colour temperature	4.000 K
Light colour	White
Light output	Direct
Luminous flux	1,100 lm
System efficiency	73 lm/W
Colour rendering	CRI > 80
Reflector	High-gloss
Beam angle	40°
Light sharing	Symmetric
Adjustable color temperature	No

Operating technology of the luminaire	
System output	15 W
Voltage type	AC
AC nominal voltage max	230 V
Frequenz max.	50 Hz
Lamp	High voltage LED
Lamp holder	Without fitting
Protection class	I
Degree of protection	IP20
Control	on/off
Bulb change possible	The light source of this luminaire may only be replaced by the manufacturer or a service technician commissioned by him or a similarly qualified person.

Mounting technology	
Mounting method	Surface mounting
Place of installation	Ceiling-mounted
Adjustability	Not adjustable
stamp	UKCA
Material cover	Plastic, structured

Packing data	
Gross weight	0.816 kg
Length of packaging	130 mm
Packaging width	130 mm
Packaging height	220 mm
Disposal at end of life	This product must not be disposed of with household waste. You are obliged, to dispose of such electrical waste separately. By disposing of electrical waste and other old or defective electronics separately, you support recycling or other forms of re-use. In that way you help to take care and to avoid that harmful substances get into the environment.