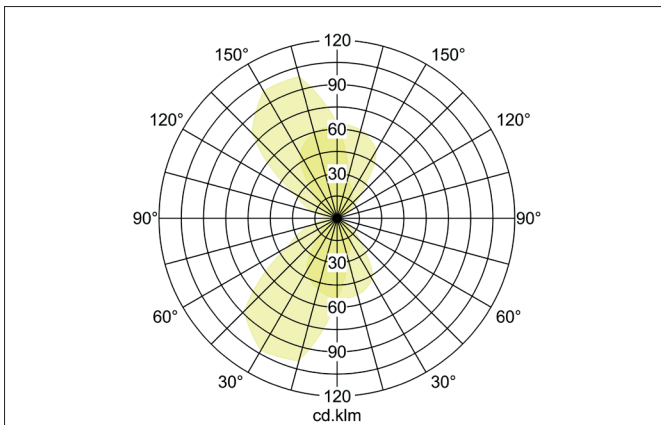
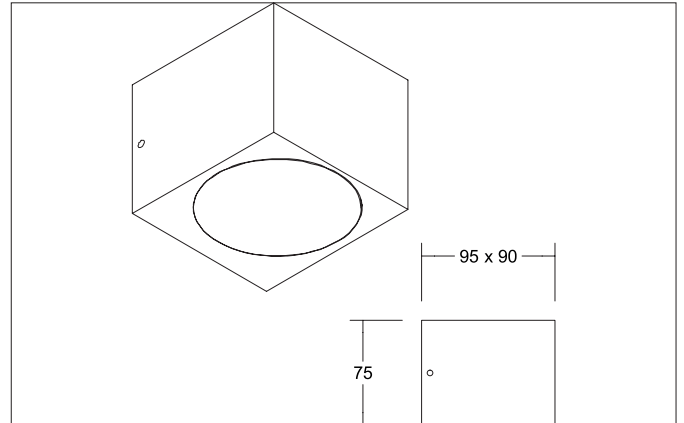


QUADER LED wall surface mounted luminaire, IP65, direct / indirect

Article no. 10121103


Tender

Rectangular LED surface-mounted wall light, IP65, direct / indirect, switchable, luminaire length 95 mm, luminaire width 90 mm, height 75 mm, weight 0.792 kg, asymmetrical, rated luminous flux 640 lm, rated wattage 1 x 3 W, light color warm white, most similar color temperature (CCT) 3.000 K, general color rendering index CRI > 80, housing material: aluminium / glass, color: graphite, permissible ambient temperature (ta): -20 °C - +25 °C, protection class (EN 61140): I, degree of protection (DIN EN 60529): IP65. With electronic control gear, switchable.

Article data	
Article no.	10121103
GTIN	4251433926207
Series name	QUADER
Short description	LED wall surface mounted luminaire, IP65, direct / indirect
Material	Aluminium / Glass
Colour	Graphite
Shape	Rectangular
Length	95 mm
Width	90 mm
Height	75 mm
Scope of delivery	Incl. converter for connection to the 230-V mains voltage
Weight	0.792 kg
Conformance	CE, UKCA

QUADER LED wall surface mounted luminaire, IP65, direct / indirect

Article no. 10121103

Lighting technology	
Colour temperature	3.000 K
Light colour	White
Luminous flux	640 lm
System efficiency	160 lm/W
Colour rendering	CRI > 80
Reflector	Without
Beam angle	75°
Light sharing	Asymmetric
Adjustable color temperature	No

Operating technology of the luminaire	
System output	8 W
Voltage type	AC
AC nominal voltage max	230 V
Frequency max	50 Hz
Lamp	LED
Lamp holder	Without fitting
Protection class	I
Degree of protection	IP65
Control	on/off
Bulb change possible	The light source of this luminaire may only be replaced by the manufacturer or a service technician commissioned by him or a similarly qualified person.
Energy efficiency class	nicht erforderlich

Mounting technology	
Mounting method	Surface mounting
Place of installation	Wall-mounted
Adjustability	Not adjustable
Suitable for through-wiring	No

Packing data	
Gross weight	0.933 kg
Length of packaging	160 mm
Packaging width	110 mm
Packaging height	150 mm
Disposal at end of life	This product must not be disposed of with household waste. You are obliged, to dispose of such electrical waste separately. By disposing of electrical waste and other old or defective electronics separately, you support recycling or other forms of re-use. In that way you help to take care and to avoid that harmful substances get into the environment.