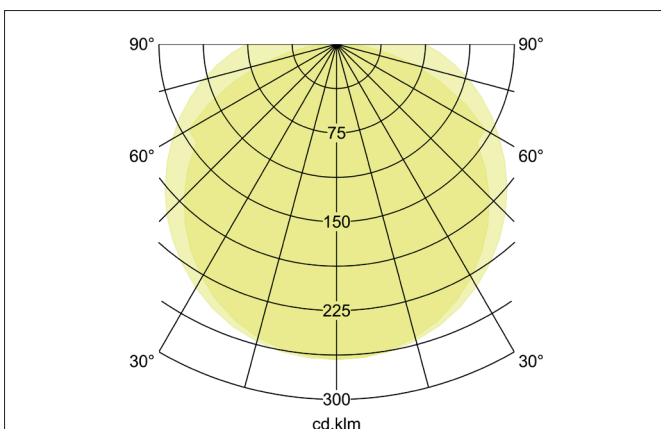
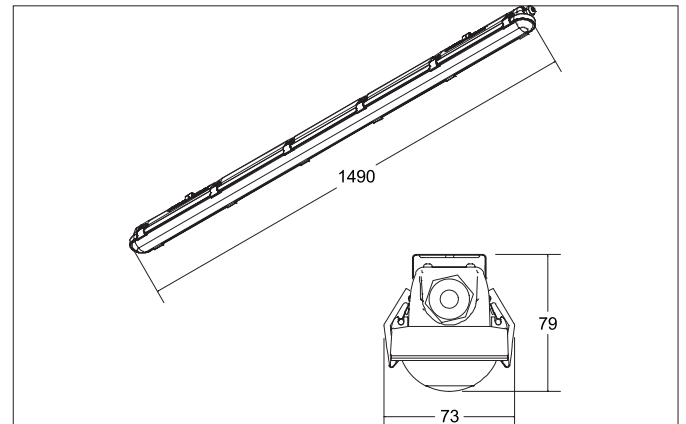


HUMID ONE RESCUE LED damp proof luminaire with emergency function 3h

Article no. 78913114

Light.
For Generations.**Tender**

LED damp proof luminaire with emergency function 3h, Rectangular. Luminaire length 1490.0 mm, Luminaire width 73.0 mm, Hight 79.0 mm Weight 1.764 kg, with rotationssymmetrical, deep, wide distributed light intensity. optimal light distribution due to a polycarbonat clear cover. Luminous flux 3.600 lm, Power 1 x 28 W, Light colour neutral white, Correlated color temperature (CCT) 4.000 K, Colour rendering index CRI > 80, Rated life time L70/B50 at 25 °C: 50.000 h, Rated life time L80/B50 at 25 °C: 50.000 h, Housing material: Polycarbonate / Stainless steel, Colour: Gray, Permissible ambient temperature (ta): 5 °C to +40 °C, Protection class (EN 61140): I, Degree of protection (DIN EN 60529): IP65, shock resistance according to IEC62262: IK08 .With electronic driver, on/off switchable.

Product Benefits

- 5-year Brumberg lighting warranty.
- Long service life: L80B50 > 50,000 h at +25 °C.
- Multilumen thanks to dipswitch.
- High efficiency: up to 135 lm / watt.
- Planning reliability thanks to enclosed accessories for any type of mounting (ceiling and wall mounting and pendant).
- Cover and LED board form a single unit for quick and easy installation.
- Pre-punched holes for different cable entries.
- Robust, impact-resistant housing made of polycarbonate with IK08.
- All metal attachments made of stainless steel (retaining clips, screws, etc.).
- Brand converter from OSRAM.
- LiFePo4 rechargeable battery.
- Quick installation: through-wiring via cable sets 600/1,200/1,500 mm possible (can be ordered optionally).

HUMID ONE RESCUE LED damp proof luminaire with emergency function 3h

Article no. 78913114

Light.
For Generations.

Article data	
Article no.	78913114
GTIN	4251433971931
Series name	HUMID ONE RESCUE
Short description	LED damp proof luminaire with emergency function 3h
Material	Polycarbonate / Stainless steel
Colour	Gray
Type of surface	Matt
Shape	Rectangular
Length	1,490 mm
Width	73 mm
Hight	79 mm
Scope of delivery	<p>Delivery: incl. converter for connection to 230 V mains voltage, switchable Delivery incl. mounting accessories set consisting of:</p> <ul style="list-style-type: none"> - 1 x emergency light module burning time 3h, - 4 x locking screws for clip holder, - 2 x locking screws and nuts for universal mounting bracket, - 4 x (78012/78013 = 2 x) mounting screws and dowels, - 2 x universal mounting brackets for wall, ceiling or pendant mounting (required lugs for hooking into the mounting bracket included in delivery). - 1 x IP65 cable gland PG13.5 (cable diameter Ø 6 - 12 mm)
Weight	1.764 kg
stamp	UKCA

Lighting technology	
Colour temperature	4.000 K
Light colour	White
Light output	Direct
Luminous flux	3,600 lm
System efficiency	129 lm/W
McAdam-Step	McAdam-Step 5
Colour rendering	CRI > 80
Beam angle	114°
Light sharing	Symmetric
Adjustable color temperature	

Operating technology of the luminaire	
System output	28 W
Voltage type	AC
AC nominal voltage max	230 V
Frequency max	50 Hz
Lamp	LED
Lamp holder	Without fitting
Protection class	I
Degree of protection	IP65
Ambient temperature	-20 °C up to +40 °C
Dimmable	No
Control	on/off
Bulb change possible	The light source of this luminaire may only be replaced by the manufacturer or a service technician commissioned by him or a similarly qualified person.
Glow wire test according to IEC 60695-2-12	850°C - 5s
Rated life time L70/B50 at 25 °C	50,000 h
Rated life time L80/B50 at 25 °C	50.000 h

HUMID ONE RESCUE LED damp proof luminaire with emergency function 3h


Article no. 78913114

Light.
For Generations.

Operating technology of emergency light	
Battery type	LiFePO4
Function	Escape route lighting
Electric feeding	Decentralised (single battery)
Nominal operating time at BLF 100 %	3 h
Monitoring device	Automatic self-test

Mounting technology	
Mounting method	Surface mounting
Place of installation	Ceiling-/Wall-/Pendant-mounted
Adjustability	Not adjustable
Impact resistance	IK08
Material cover	Polycarbonat clear
Suitable for through-wiring	Yes, with optional accessories

Packing data	
Gross weight	1.959 kg
Length of packaging	1,500 mm
Packaging width	78 mm
Packaging height	78 mm
Disposal at end of life	This product must not be disposed of with household waste. You are obliged, to dispose of such electrical waste separately. By disposing of electrical waste and other old or defective electronics separately, you support recycling or other forms of re-use. In that way you help to take care and to avoid that harmful substances get into the environment.

Accessories	
	Article no.: 81011150 Through-wiring, 3-pole, length 1,500 mm, for 78013 / 78015 Dimensions: 1,490 mm
	Article no.: 81011040