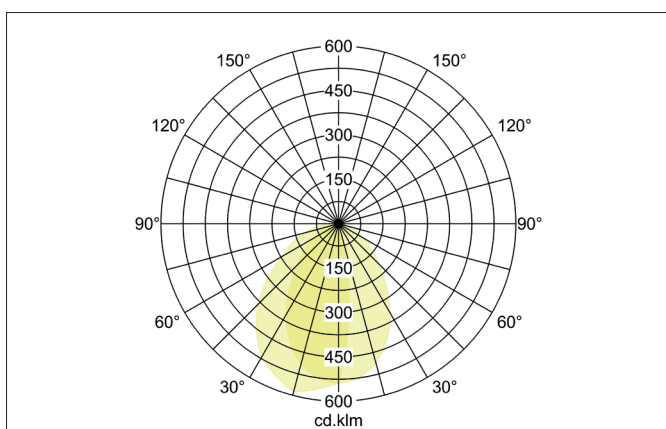
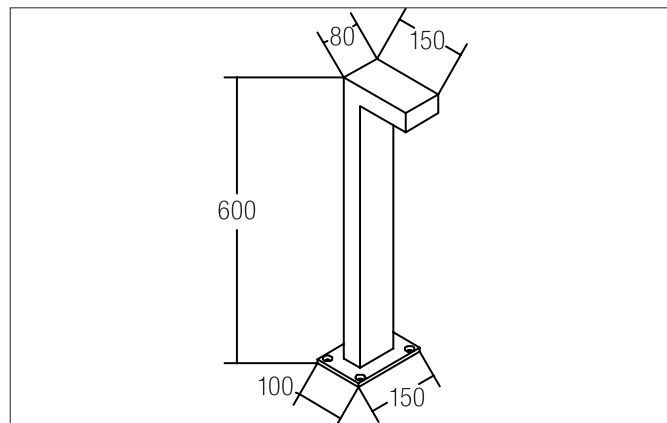


LANTERN LED bollard light, IP65, height 600 mm

Article no. 60006103

Light.
For Generations.



Tender

LED bollard light, IP65, height 600 mm, Other., Luminaire width 80.0 mm, Hight 600.0 mm Weight 2.222 kg, asymmetric Cover glass transparent. Luminous flux 520 lm, Power 1 x 9 W, Light colour warm white, Correlated color temprature (CCT) 3.000 K, Colour rendering index CRI > 80, Housing material: Aluminium / Glass, Colour: Graphite, Permissible ambient temperature (ta): -20 - + 50, Protection class (EN 61140): I, Degree of protection (DIN EN 60529): IP65. With electronic driver, on/off switchable.

Article data	
Article no.	60006103
GTIN	4251433915379
Series name	LANTERN
Short description	LED bollard light, IP65, height 600 mm
Material	Aluminium / Glass
Colour	Graphite
Shape	Other
Width	80 mm
Hight	600 mm
Scope of delivery	Incl. converter for connection to the 230-V mains voltage, on/off switchable and 500 mm connecting cable
Weight	2.222 kg
Conformance	CE, UKCA

LANTERN LED bollard light, IP65, height 600 mm

Article no. 60006103

Light.
For Generations.

Lighting technology	
Colour temperature	3.000 K
Light colour	White
Light output	Direct
Luminous flux	520 lm
System efficiency	58 lm/W
Colour rendering	CRI > 80
Reflector	Without
Beam angle	90°
Light sharing	Asymmetric

Operating technology of the luminaire	
System output	9 W
Voltage type	AC
AC nominal voltage max	230 V
Frequency max	50 Hz
Lamp	LED
Lamp holder	Without fitting
Protection class	I
Degree of protection	IP65
Ambient temperature	-20 - + 50
Control	on/off
Bulb change possible	The light source of this luminaire may only be replaced by the manufacturer or a service technician commissioned by him or a similarly qualified person.

Mounting technology	
Mounting method	Surface mounting
Place of installation	Floor-mounted
Adjustability	Not adjustable
Material cover	Glass transparent
Circlip	Without circlip

Packing data	
Gross weight	2.83 kg
Length of packaging	220 mm
Packaging width	220 mm
Packaging height	675 mm
Disposal at end of life	This product must not be disposed of with household waste. You are obliged, to dispose of such electrical waste separately. By disposing of electrical waste and other old or defective electronics separately, you support recycling or other forms of re-use. In that way you help to take care and to avoid that harmful substances get into the environment.