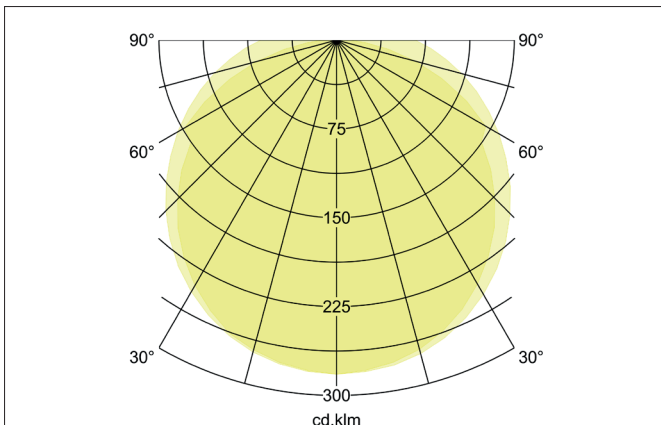
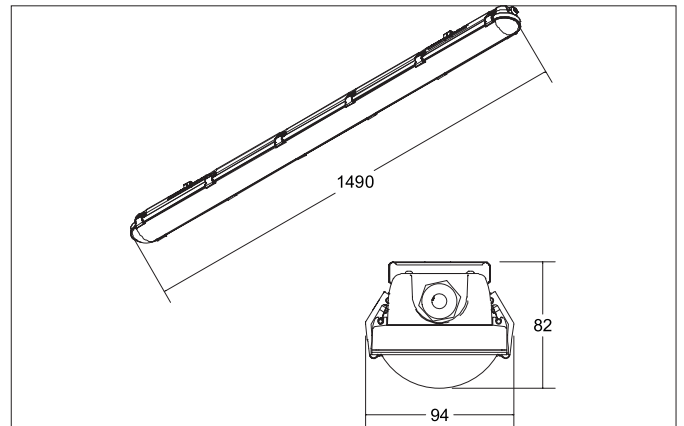


**HUMID ONE LED surface mounted damp proof luminaire**

Article no. 78015114

Light.  
For Generations.**Tender**

LED surface mounted damp proof luminaire, Other. Luminaire length 1490.0 mm, Luminaire width 94.0 mm, Height 82.0 mm Weight 1.936 kg, with rotationssymmetrical, deep, wide distributed light intensity. optimal light distribution due to a polycarbonat clear cover. Luminous flux 6.900 lm, Power 1 x 51 W, Light colour neutral white, Correlated color temperature (CCT) 4.000 K, Colour rendering index CRI > 80, Rated life time L70/B50 at 25 °C: 50.000 h, Rated life time L80/B50 at 25 °C: 50.000 h, Housing material: Polycarbonate / Stainless steel, Colour: Gray, Permissible ambient temperature (ta): -20 °C to +40 °C, Protection class (EN 61140): I, Degree of protection (DIN EN 60529): IP65, shock resistance according to IEC62262: IK08. With electronic driver, on/off switchable.

**Product Benefits**

- 5 years Brumberg light guarantee.
- Long service life time: L80B50 > 50,000 h at +25 °C.
- High efficiency: up to 135 lm / watt.
- Planning security thanks to included accessories for any type of installation (ceiling and wall mounting and pendulum).
- Cover and LED board form a unit for quick and easy installation
- Pre-punching for different cable entries.
- Robust, impact-resistant housing made of polycarbonate with IK08.
- All metal attachments made of stainless steel (retaining clips, screws, etc.).
- Osram brand converter.
- Quick installation: through-wiring via cable harnesses 600/1,200/1,500 mm possible (optionally orderable).
- ENEC certified.

**HUMID ONE LED surface mounted damp proof luminaire**

Article no. 78015114

Light.  
For Generations.

Bestromung	Leistung	Lichtstrom
200 mA	29 W	3.625 lm
250 mA	36 W	4.500 lm
300 mA	44 W	5.500 lm
350 mA	51 W	6.900 lm

Article data	
Article no.	78015114
GTIN	4251433951599
Series name	HUMID ONE
Short description	LED surface mounted damp proof luminaire
Material	Polycarbonate / Stainless steel
Colour	Gray
Type of surface	Matt
Shape	Other
Length	1,490 mm
Width	94 mm
Hight	82 mm
Scope of delivery	<p>Delivery: incl. converter to connection to 230 V mains voltage, on/off switchable</p> <p>Delivery incl. mounting accessories set consisting of:</p> <ul style="list-style-type: none"> <li>- 4 x locking screws for clip holders,</li> <li>- 2 x locking screws and nuts for universal mounting brackets,</li> <li>- 4 x (78012/78013 = 2 x) mounting screws and dowels,</li> <li>- 2 x Universal mounting bracket for wall, ceiling or pendulum mounting (required tabs for mounting in the mounting holder included).</li> <li>- 1 x IP65 cable gland PG13.5 (cable diameter Ø 6 - 12 mm)</li> </ul>
Weight	1.936 kg
stamp	UKCA

Lighting technology	
Colour temperature	4.000 K
Light colour	White
Light output	Direct
Luminous flux	6,900 lm
System efficiency	135 lm/W
McAdam-Step	McAdam-Step 5
Colour rendering	CRI > 80
Beam angle	117°
Light sharing	Symmetric
Adjustable color temperature	No

**HUMID ONE LED surface mounted damp proof luminaire**

Article no. 78015114

Light.  
For Generations.

Operating technology of the luminaire	
System output	51 W
Voltage type	AC
AC nominal voltage min	198 V
AC nominal voltage max	264 V
Current	350 mA
Frequency max	60 Hz
Frequency min	50 Hz
Lamp	LED
Lamp holder	Without fitting
Protection class	I
Degree of protection	IP65
Ambient temperature	-20 °C up to +40 °C
Dimmable	No
Control	on/off
Bulb change possible	The light source of this luminaire may only be replaced by the manufacturer or a service technician commissioned by him or a similarly qualified person.
Glow wire test according to IEC 60695-2-12	850°C - 5s
Rated life time L70/B50 at 25 °C	50,000 h
Rated life time L80/B50 at 25 °C	50.000 h

Operating technology of driver	
AC nominal voltage min	198 V
AC nominal voltage max	264 V
Frequency min	50 Hz
Frequency max	60 Hz
Output current	350 mA
Protection class	I
Degree of protection	IP65
max. no. lights on C16 A	38
max. no. lights on B16 A	25
Starting current	29,9
Power	51 W
Suitable for emergency lighting	No
Control	on/off
Flicker-free	Yes
Switching cycles	50000
Rated life time L70/B50 at 25 °C	50,000 h


Mounting technology	
Mounting method	Surface mounting
Place of installation	Ceiling-/Wall-/Pendant-mounted
Adjustability	Not adjustable
Impact resistance	IK08
Material cover	Polycarbonat clear
Circlip	Without circlip
Suitable for through-wiring	Yes, with optional accessories

Packing data	
Gross weight	2.176 kg
Length of packaging	1,500 mm
Packaging width	103 mm
Packaging height	83 mm
Disposal at end of life	This product must not be disposed of with household waste. You are obliged, to dispose of such electrical waste separately. By disposing of electrical waste and other old or defective electronics separately, you support recycling or other forms of re-use. In that way you help to take care and to avoid that harmful substances get into the environment.

## HUMID ONE LED surface mounted damp proof luminaire

Article no. 78015114

Light.  
For Generations.

Accessories	
	Article no.: 81011150 Through-wiring, 3-pole, length 1,500 mm, for 78013 / 78015  Dimensions: 1,490 mm
	Article no.: 81011050