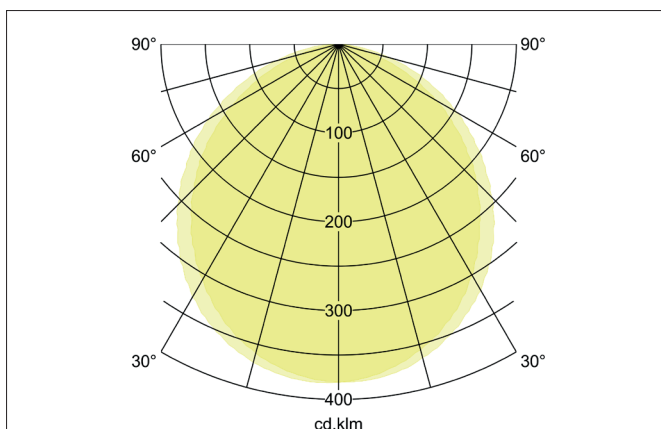
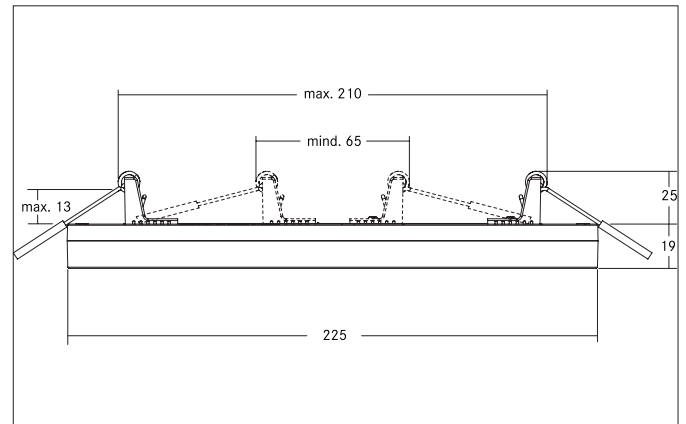


**MOON MIDI LED surface mounted- / recessed panel, trailing-edge****phase dimmable**

Article no. 12206073

Light.  
For Generations.**Tender**

LED surface mounted- / recessed panel, trailing-edge phase dimmable, Round. Toolless ceiling installation by installation springs. Ceiling cut-out Installation depth 25 mm, Outer diameter 225 mm, Weight 0,401 kg, with rotationssymmetrical, deep, wide distributed light intensity. optimal light distribution due to a plastic, opal cover. Luminous flux 1.685 lm, Power 1 x 18 W, Light colour warm white to daylight white, Correlated color temprature (CCT) 3.000 - 6.000 K, Colour rendering index CRI > 80, Rated life time L70/B50 at 25 °C: 25.000 h, Housing material: Aluminium / Plastic, Colour: White, Permissible ambient temperature (ta): -20 °C - +25 °C, Protection class (EN 61140): II, Degree of protection (DIN EN 60529): IP20, .With electronic driver, Trailing-edge phase dimmable.

Article data	
Article no.	12206073
GTIN	4251433930396
Series name	MOON MIDI
Short description	LED surface mounted- / recessed panel, trailing-edge phase dimmable
Material	Aluminium / Plastic
Colour	White
Type of surface	Matt
Shape	Round
Outer diameter	225 mm
Installation depth	25 mm
Hight	19 mm
Scope of delivery	Incl. converter for connection to the 230-V mains voltage, dimmable. Optional accessory: Front rings for modification of the housing color (magnetic attachment)
Weight	0.401 kg

**MOON MIDI LED surface mounted- / recessed panel, trailing-edge  
phase dimmable**

Article no. 12206073

Light.  
For Generations.

Lighting technology	
Colour temperature	3.000 K / 4.000 K / 6.000 K
Light colour	White
Light output	Direct
Luminous flux	1,685 lm
System efficiency	94 lm/W
Colour rendering	CRI > 80
Reflector	Without
Beam angle	110°
Light sharing	Symmetric
Adjustable color temperature	Stages

Operating technology of the luminaire	
System output	18 W
Voltage type	AC
AC nominal voltage max	230 V
Frequenz max.	50 Hz
Lamp	LED
Lamp holder	Without fitting
Protection class	II
Degree of protection	IP20
Dimmable	Yes
Control	Trailing-edge phase
Bulb change possible	The light source of this luminaire may only be replaced by the manufacturer or a service technician commissioned by him or a similarly qualified person.
Rated life time L70/B50 at 25 °C	25,000 h




Mounting technology	
Mounting method	Surface mounting
Place of installation	Ceiling-mounted
Adjustability	Not adjustable
Max. ceiling thickness	13 mm
Further references	No cover with thermal insulation material
Material cover	Plastic, opal

Packing data	
Gross weight	0.504 kg
Length of packaging	245 mm
Packaging width	245 mm
Packaging height	30 mm
Disposal at end of life	This product must not be disposed of with household waste. You are obliged, to dispose of such electrical waste separately. By disposing of electrical waste and other old or defective electronics separately, you support recycling or other forms of re-use. In that way you help to take care and to avoid that harmful substances get into the environment.

**MOON MIDI LED surface mounted- / recessed panel, trailing-edge  
phase dimmable**

Article no. 12206073

Light.  
For Generations.

Accessories		
		Article no.: 81020602 Front ring for 12205073  Dimensions: 225 mm x 19 mm
		Article no.: 81020608 Front ring for 12205073  Dimensions: 225 mm x 19 mm
		Article no.: 81020615 Front ring for 12205073  Dimensions: 225 mm x 19 mm