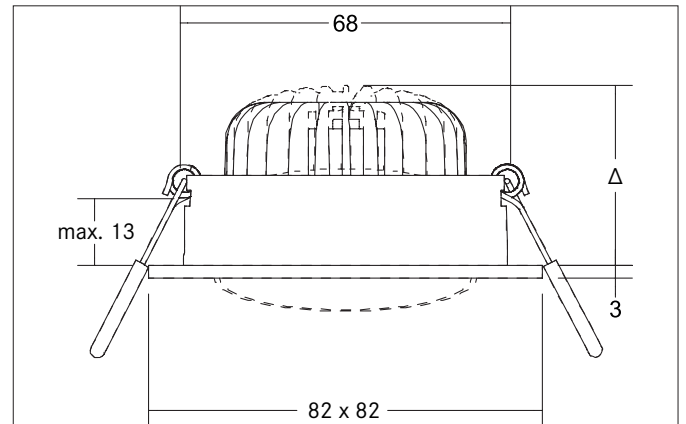


LOOP®-S Recessed spotlight housing, without LED module

Article no. 27065170


Tender

Recessed spotlight housing, without LED module, white structure, Square. In a compact design, for installation in tool-less rapid assembly systems. All Brumberg MR16 LED modules can be used for the LOOP recessed unit. The installation depth of the luminaire depends on the LED module used in each case (here: 5 mm, plus height of the LED module). The LED module is not included in the scope of delivery of the flush-mount unit. Mounting method: Recessed mounting, Place of installation: Ceiling-mounted, Material: Nylon / Magnesium Hydroxide / Fiberglass, Degree of protection: according to DIN EN 60529 IP20, Protection class: (EN 61140) III, Power: 13 W, Amount of light sources / fittings: 1 Qty, Adjustability: Pivoted, without control gear, Dimmable: Depending on type of control gear, Control: Depending on driver.

Product Benefits

LOOP®- Light Of Ocean Plastic.

The first certified LED recessed luminaire housing made of 100% recycled Ocean Plastic.

Plastic waste in the ocean is a global catastrophe, so we must do something about it. We are making an important contribution with the first luminaire whose plastic content is made from 100 percent recycled ocean plastic. With LOOP®, we are setting new standards for sustainable lighting solutions on the global market, which reflect high quality, functionality and aesthetics. Even the converter housing (L 72 x W 45 x H 23 mm) is also made of recycled ocean plastic.

LOOP®-S Recessed spotlight housing, without LED module

Article no. 27065170

Article data	
Article no.	27065170
GTIN	4251433981954
Series name	LOOP®-S
Short description	Recessed spotlight housing, without LED module
Material	Nylon / Magnesium Hydroxide / Fiberglass
Colour	White
Type of surface	Structure
Shape	Square
Built-in diameter	68 mm
Length	82 mm
Width	82 mm
Hight	3 mm
Weight	0.066 kg
Conformance	CE, UKCA

Operating technology of the luminaire	
System output	13 W
Voltage type	DC
Lamp	For LED
Lamp holder	Without fitting
Protection class	III
Degree of protection	IP20
Dimmable	Depending on type of control gear
Control	Depending on driver

Mounting technology	
Mounting method	Recessed mounting
Place of installation	Ceiling-mounted
Adjustability	Pivoted
Swivel angle	20°
Max. ceiling thickness	13 mm
Further references	No cover with thermal insulation material
Material cover	Without cover
Circlip	Without circlip

Packing data	
Gross weight	0.107 kg
Length of packaging	102 mm
Packaging width	85 mm
Packaging hight	54 mm
Disposal at end of life	<p>This product must not be disposed of with household waste. You are obliged, to dispose of such electrical waste separately.</p> <p>By disposing of electrical waste and other old or defective electronics separately, you support recycling or other forms of re-use. In that way you help to take care and to avoid that harmful substances get into the environment.</p>

LOOP®-S Recessed spotlight housing, without LED module

Article no. 27065170

Compatible LED-modu-							
Article no.	Power	Beam angle	Colour tempera- ture	Colour rende- ring	Luminous flux	Input	Hight LED-Modul
12925003	3 W	38°	2.700 K	CRI > 80	290 lm	350 mA	40 mm
12926003	3 W	38°	3.000 K	CRI > 80	310 lm	350 mA	40 mm
12925004	3 W	38°	4.000 K	CRI > 80	340 lm	350 mA	40 mm
12923383	6 W	38°	2.700 K	CRI > 80	740 lm	350 mA	32 mm
12923603	6 W	60°	2.700 K	CRI > 80	720 lm	350 mA	32 mm
12927383	6 W	38°	2.700 K	CRI > 90	600 lm	350 mA	32 mm
12924383	6 W	38°	3.000 K	CRI > 80	730 lm	350 mA	32 mm
12924603	6 W	60°	3.000 K	CRI > 80	770 lm	350 mA	32 mm
12928383	6 W	38°	3.000 K	CRI > 90	680 lm	350 mA	32 mm
12924384	6 W	38°	3.500 K	CRI > 80	730 lm	350 mA	32 mm
12924604	6 W	60°	3.500 K	CRI > 80	770 lm	350 mA	32 mm
12928384	6 W	38°	3.500 K	CRI > 90	680 lm	350 mA	32 mm
12923384	6 W	38°	4.000 K	CRI > 80	770 lm	350 mA	32 mm
12923604	6 W	60°	4.000 K	CRI > 80	790 lm	350 mA	32 mm
12927384	6 W	38°	4.000 K	CRI > 90	720 lm	350 mA	32 mm
12920183	6 W	18°	3.000 K	CRI > 80	740 lm	350 mA	31 mm
12920243	6 W	24°	3.000 K	CRI > 80	760 lm	350 mA	31 mm
12920003	6 W	38°	3.000 K	CRI > 80	780 lm	350 mA	31 mm
12920603	6 W	60°	3.000 K	CRI > 80	760 lm	350 mA	31 mm
12920184	6 W	18°	4.000 K	CRI > 80	780 lm	350 mA	31 mm
12920244	6 W	24°	4.000 K	CRI > 80	790 lm	350 mA	31 mm
12920004	6 W	38°	4.000 K	CRI > 80	810 lm	350 mA	31 mm
12920604	6 W	60°	4.000 K	CRI > 80	780 lm	350 mA	31 mm
12963383	6 W	38°	3.000 K - 1.800 K	CRI > 90	460 lm	350 mA	32 mm
12963603	6 W	60°	3.000 K - 1.800 K	CRI > 90	460 lm	350 mA	32 mm
12953003	12 W	38°	2.700 K	CRI > 80	1,130 lm	350 mA	70 mm
12954003	12 W	38°	3.000 K	CRI > 80	1,360 lm	350 mA	70 mm
12954004	12 W	38°	3.500 K	CRI > 80	1,290 lm	350 mA	70 mm
12953004	12 W	38°	4.000 K	CRI > 80	1,300 lm	350 mA	70 mm
12965003	12 W	38°	3.000 K - 1.800 K	CRI > 90	930 lm	350 mA	70 mm
12983003	12.5 W	38°	3.000 K	CRI > 97	920 lm	350 mA	95 mm
12823003	8 W	60°	2.850 K	CRI > 90	900 lm	24.00 V	50 mm
12843004	8 W	60°	2.000 K - 6.500 K	CRI > 90	640 lm	24.00 V	50 mm
18438002	8 W	60°	RGB+WW	CRI > 90	400 lm	24.00 V	50 mm
12929503	6.3 W	50°	2.700 K / 3.000 K / 4.000 K	CRI > 80	971 lm	350 mA	34 mm

Optional accessories

Article no.: 81063080

Honeycomb diffuser for luminaires with ceiling cut-out 68 mm

Dimensions: 48 mm x 3 mm

https://www.brumberg.com/fileadmin/products/Datenblatt_81063080_2021_DE.pdf