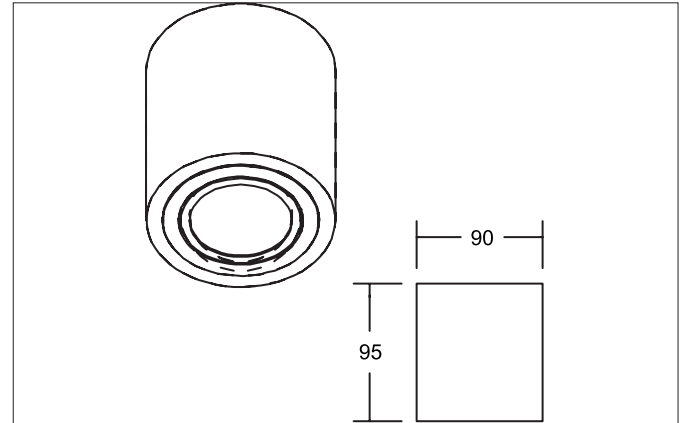


M1 Surface mounted housing, round, flush, with module bracket recessed, pivoted

Article no. 45108180

Light.
For Generations.**Tender**

Surface mounted housing, round, flush, with module bracket recessed, pivoted, black structure, Round. Surface mounting, Ceiling-mounted. All Brumberg MR16 LED modules can be used for the surface mounted unit M1 up to the specified power. The LED module, the converter or the power supply and, if applicable, the control unit are not included in the scope of delivery of the surface mounted unit. We will be happy to answer any questions you may have about the selection of converters that fit into the housing. Important: when using 24 V LED modules, the power supply and the control unit must always be installed on site outside the housing. Lamp holder: Without fitting, Mounting method: Surface mounting, Place of installation: Ceiling-mounted, Material: Aluminium, Degree of protection: according to DIN EN 60529 IP20, Protection class: (EN 61140) III, Power: 8 W, Amount of light sources / fittings: 1 Qty, Adjustability: Pivoted, without control gear, Control: Other.

| Article data | |
|-------------------|--|
| Article no. | 45108180 |
| GTIN | 4251433932109 |
| Series name | M1 |
| Short description | Surface mounted housing, round, flush, with module bracket recessed, pivoted |
| Material | Aluminium |
| Colour | Black |
| Type of surface | Structure |
| Shape | Round |
| Outer diameter | 90 mm |
| Height | 95 mm |
| Scope of delivery | Incl. module holder recessed, pivoted |
| Weight | 0.259 kg |

M1 Surface mounted housing, round, flush, with module bracket recessed, pivoted

Article no. 45108180

Light.
For Generations.

| Operating technology of the luminaire | |
|---------------------------------------|---------------------|
| Lamp | For LED |
| Lamp holder | Without fitting |
| Protection class | III |
| Degree of protection | IP20 |
| Control | Depending on driver |
| Bulb change possible | Yes |

| Mounting technology | |
|-----------------------|------------------|
| Mounting method | Surface mounting |
| Place of installation | Ceiling-mounted |
| Adjustability | Pivoted |
| Swivel angle | 20° |
| stamp | UKCA |
| Material cover | Without cover |
| Circlip | Without circlip |

| Packing data | |
|-------------------------|---|
| Gross weight | 0.299 kg |
| Length of packaging | 100 mm |
| Packaging width | 100 mm |
| Packaging height | 105 mm |
| Disposal at end of life | This product must not be disposed of with household waste. You are obliged, to dispose of such electrical waste separately. By disposing of electrical waste and other old or defective electronics separately, you support recycling or other forms of re-use. In that way you help to take care and to avoid that harmful substances get into the environment. |

| Compatible LED-modules | | | | | | |
|------------------------|-------|------------|--------------------|---------------|---------|-----------------|
| Article no. | Power | Beam angle | Colour temperature | Luminous flux | Input | Hight LED-Modul |
| 12925003 | 3 W | 38° | 2.700 K | 290 lm | 350 mA | 40 mm |
| 12926003 | 3 W | 38° | 3.000 K | 310 lm | 350 mA | 40 mm |
| 12925004 | 3 W | 38° | 4.000 K | 340 lm | 350 mA | 40 mm |
| 12923383 | 6 W | 38° | 2.700 K | 600 lm | 350 mA | 32 mm |
| 12923603 | 6 W | 60° | 2.700 K | 570 lm | 350 mA | 32 mm |
| 12924383 | 6 W | 38° | 3.000 K | 680 lm | 350 mA | 32 mm |
| 12924603 | 6 W | 60° | 3.000 K | 660 lm | 350 mA | 32 mm |
| 12924384 | 6 W | 38° | 3.500 K | 680 lm | 350 mA | 32 mm |
| 12924604 | 6 W | 60° | 3.500 K | 660 lm | 350 mA | 32 mm |
| 12923384 | 6 W | 38° | 4.000 K | 720 lm | 350 mA | 32 mm |
| 12923604 | 6 W | 60° | 4.000 K | 700 lm | 350 mA | 32 mm |
| 12963383 | 6 W | 38° | 3.000 K - 1.800 K | 460 lm | 350 mA | 32 mm |
| 12963603 | 6 W | 60° | 3.000 K - 1.800 K | 430 lm | 350 mA | 32 mm |
| 12920183 | 6 W | 18° | 3.000 K | 640 lm | 350 mA | 31 mm |
| 12920243 | 6 W | 24° | 3.000 K | 690 lm | 350 mA | 31 mm |
| 12920003 | 6 W | 38° | 3.000 K | 670 lm | 350 mA | 31 mm |
| 12920603 | 6 W | 60° | 3.000 K | 620 lm | 350 mA | 31 mm |
| 12920184 | 6 W | 18° | 4.000 K | 685 lm | 350 mA | 31 mm |
| 12920244 | 6 W | 24° | 4.000 K | 740 lm | 350 mA | 31 mm |
| 12920004 | 6 W | 38° | 4.000 K | 720 lm | 350 mA | 31 mm |
| 12920604 | 6 W | 60° | 4.000 K | 660 lm | 350 mA | 31 mm |
| 12823003 | 8 W | 60° | 2.850 K | 900 lm | 24.00 V | 50 mm |
| 12843004 | 8 W | 60° | 2.000 K - 6.500 K | 640 lm | 24.00 V | 50 mm |
| 18438002 | 8 W | 60° | RGB+WW | 400 lm | 24.00 V | 50 mm |

M1 Surface mounted housing, round, flush, with module bracket recessed, pivoted

Article no. 45108180

Light.
For Generations.

| Required accessories | |
|---|--|
|  | LED reflector insert MR16, 3 W, 350 mA Leistung: 3 W Dimensions: 50 mm x 40 mm |
|  | LED reflector insert MR16, 6 W, 350 mA Leistung: 6 W Dimensions: 50 mm x 32 mm |
|  | LED reflector insert MR16, 6 W, dim2warm, 350 mA Leistung: 6 W Dimensions: 50 mm x 32 mm |
|  | LED insert, MR16, 6 W, with lens optics, 350 mA Leistung: 6 W Dimensions: 50 mm x 31 mm |