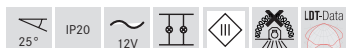
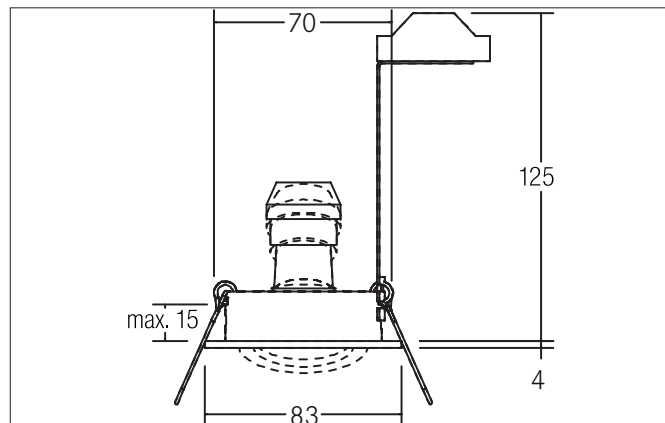


**BERRIE-R Recessed spot, without socket**

Article no. 2110.02

Light.  
For Generations.**Tender**

Recessed spot, without socket, glossy chrome, Round. In a compact design, for installation in tool-less rapid assembly systems. Lamp holder: GX5.3, Mounting method: Recessed mounting, Place of installation: Ceiling-mounted, Material: Cast aluminium, Degree of protection: according to DIN EN 60529 IP20, Protection class: (EN 61140) III, Voltage: 12V, Power: 50 W, Amount of light sources / fittings: 1 Qty, Adjustability: Pivoted, without control gear, Dimmable: Depending on type of control gear, Control: Depending on driver.

**Product Benefits**

- Recessed spotlight in round design made of cast aluminum for LED retrofit lamps.
- Version: WITHOUT socket (if required, please order bracket with socket 5387 (GX5.3, 12 V AC, max. 50 W) or 5397 (GU10, 230 V AC, max. 50 W) to be procured.
- Ceiling cut-out 70 mm, diameter 83 mm, installation depth 55 mm, IP20.
- Pivoting range 25°.
- Without visible snap ring.
- Classic, minimalist design (slightly recessed inwards).
- Also available in the same look as GU10 version, as a switchable and dimmable set (trailing edge).

**BERRIE-R Recessed spot, without socket**

Article no. 2110.02

Light.  
For Generations.

Article data	
Article no.	2110.02
GTIN	4250047761709
Series name	BERRIE-R
Short description	Recessed spot, without socket
Material	Cast aluminium
Colour	Chrome
Type of surface	Glossy
Shape	Round
Outer diameter	83 mm
Built-in diameter	70 mm
Installation depth	125 mm
Hight	4 mm
Weight	0.065 kg
stamp	UKCA

Operating technology of the luminaire	
System output	50 W
Voltage type	AC
AC nominal voltage max	12 V
Frequency max	50 Hz
Lamp	For LED-retrofill lamp
Lamp holder	GX5.3
Protection class	III
Degree of protection	IP20
Dimmable	Depending on type of control gear
Control	Depending on driver
Bulb change possible	The light source of this luminaire may only be replaced by the manufacturer or a service technician commissioned by him or a similarly qualified person.




Mounting technology	
Mounting method	Recessed mounting
Place of installation	Ceiling-mounted
Adjustability	Pivoted
Swivel angle	25°
Max. ceiling thickness	15 mm
Further references	No cover with thermal insulation material
Material cover	Without cover
Circlip	Without circlip

Packing data	
Gross weight	0.092 kg
Length of packaging	100 mm
Packaging width	50 mm
Packaging hight	85 mm
Disposal at end of life	This product must not be disposed of with household waste. You are obliged, to dispose of such electrical waste separately. By disposing of electrical waste and other old or defective electronics separately, you support recycling or other forms of re-use. In that way you help to take care and to avoid that harmful substances get into the environment.

**BERRIE-R Recessed spot, without socket**

Article no. 2110.02

Light.  
For Generations.

Accessories	
	Article no.: 5387 Separate brackets for bulbs to 2110 / 2111 Leistung: 50 W
	Article no.: 5397 Separate brackets for bulbs to 2110 / 2111
	Article no.: 5388 Separate brackets for bulbs to 2110 / 2111