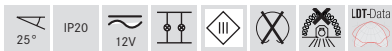
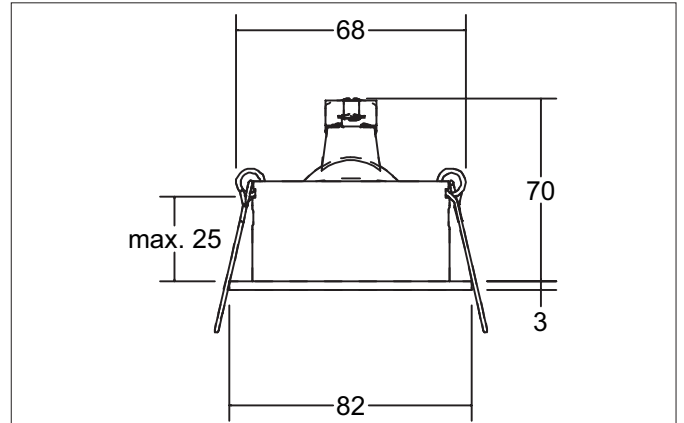


TIRRELdeep Recessed spot, GX5,3

Article no. 0063.80

Light.
For Generations.**Tender**

Recessed spot, GX5,3, black matt, Round. In a compact design, for installation in tool-less rapid assembly systems. Lamp holder: GX5.3, Mounting method: Recessed mounting, Place of installation: Ceiling-mounted, Material: Aluminium, Degree of protection: according to DIN EN 60529 IP20, Protection class: (EN 61140) III, Voltage: 12V, Power: 50 W, Amount of light sources / fittings: 1 Qty, Adjustability: Pivoted, without control gear, Dimmable: Depending on type of control gear, Control: Depending on driver.

Product Benefits

- Recessed recessed spotlight in round design made of solid aluminum for LED retrofit lamps with GX5.3 base.
- Ceiling cut-out 68 mm, diameter 82 mm, installation depth 70 mm, IP20.
- Pivoting range 25°.
- Without visible snap ring.
- Classic, formally restrained design.
- Also available in the same look as GU10 version, as a switchable and dimmable set (phase cut-off). dimmable set (trailing edge).

TIRRELdeep Recessed spot, GX5,3

Article no. 0063.80

Light.
For Generations.

| Article data | |
|--------------------|----------------------|
| Article no. | 0063.80 |
| GTIN | 4251433953654 |
| Series name | TIRRELdeep |
| Short description | Recessed spot, GX5,3 |
| Material | Aluminium |
| Colour | Black |
| Type of surface | Matt |
| Shape | Round |
| Outer diameter | 82 mm |
| Built-in diameter | 68 mm |
| Installation depth | 70 mm |
| Hight | 3 mm |
| Weight | 0.089 kg |
| Conformance | CE, UKCA |

| Operating technology of the luminaire | |
|---------------------------------------|-----------------------------------|
| System output | 50 W |
| Voltage type | AC/DC |
| AC nominal voltage max | 12 V |
| Frequency max | 50 Hz |
| Lamp | For LED-retrofill lamp |
| Lamp holder | GX5.3 |
| Protection class | III |
| Degree of protection | IP20 |
| Dimmable | Depending on type of control gear |
| Control | Depending on driver |
| Bulb change possible | Yes |

| Mounting technology | |
|------------------------|---|
| Mounting method | Recessed mounting |
| Place of installation | Ceiling-mounted |
| Adjustability | Pivoted |
| Swivel angle | 25° |
| Max. ceiling thickness | 25 mm |
| Further references | No cover with thermal insulation material |
| Material cover | Without cover |
| Circlip | Without circlip |

| Packing data | |
|-------------------------|---|
| Gross weight | 0.119 kg |
| Length of packaging | 85 mm |
| Packaging width | 55 mm |
| Packaging hight | 85 mm |
| Disposal at end of life | This product must not be disposed of with household waste. You are obliged, to dispose of such electrical waste separately. By disposing of electrical waste and other old or defective electronics separately, you support recycling or other forms of re-use. In that way you help to take care and to avoid that harmful substances get into the environment. |

TIRRELdeep Recessed spot, GX5,3

Article no. 0063.80

Light.
For Generations.

| Compatible LED-modules | | | | | | |
|------------------------|--------|------------|-----------------------------|---------------|---------|-----------------|
| Article no. | Power | Beam angle | Colour temperature | Luminous flux | Input | Hight LED-Modul |
| 12925003 | 3 W | 38° | 2.700 K | 290 lm | 350 mA | 40 mm |
| 12926003 | 3 W | 38° | 3.000 K | 310 lm | 350 mA | 40 mm |
| 12925004 | 3 W | 38° | 4.000 K | 340 lm | 350 mA | 40 mm |
| 12923383 | 6 W | 38° | 2.700 K | 600 lm | 350 mA | 32 mm |
| 12923603 | 6 W | 60° | 2.700 K | 570 lm | 350 mA | 32 mm |
| 12924383 | 6 W | 38° | 3.000 K | 680 lm | 350 mA | 32 mm |
| 12924603 | 6 W | 60° | 3.000 K | 660 lm | 350 mA | 32 mm |
| 12924384 | 6 W | 38° | 3.500 K | 680 lm | 350 mA | 32 mm |
| 12924604 | 6 W | 60° | 3.500 K | 660 lm | 350 mA | 32 mm |
| 12923384 | 6 W | 38° | 4.000 K | 720 lm | 350 mA | 32 mm |
| 12923604 | 6 W | 60° | 4.000 K | 700 lm | 350 mA | 32 mm |
| 12920183 | 6 W | 18° | 3.000 K | 640 lm | 350 mA | 31 mm |
| 12920243 | 6 W | 24° | 3.000 K | 690 lm | 350 mA | 31 mm |
| 12920003 | 6 W | 38° | 3.000 K | 670 lm | 350 mA | 31 mm |
| 12920603 | 6 W | 60° | 3.000 K | 620 lm | 350 mA | 31 mm |
| 12920184 | 6 W | 18° | 4.000 K | 685 lm | 350 mA | 31 mm |
| 12920244 | 6 W | 24° | 4.000 K | 740 lm | 350 mA | 31 mm |
| 12920004 | 6 W | 38° | 4.000 K | 720 lm | 350 mA | 31 mm |
| 12920604 | 6 W | 60° | 4.000 K | 660 lm | 350 mA | 31 mm |
| 12963383 | 6 W | 38° | 3.000 K - 1.800 K | 460 lm | 350 mA | 32 mm |
| 12963603 | 6 W | 60° | 3.000 K - 1.800 K | 430 lm | 350 mA | 32 mm |
| 12953003 | 12 W | 38° | 2.700 K | 1,120 lm | 350 mA | 70 mm |
| 12954003 | 12 W | 38° | 3.000 K | 1,210 lm | 350 mA | 70 mm |
| 12954004 | 12 W | 38° | 3.500 K | 1,240 lm | 350 mA | 70 mm |
| 12953004 | 12 W | 38° | 4.000 K | 1,250 lm | 350 mA | 70 mm |
| 12965003 | 12 W | 38° | 3.000 K - 1.800 K | 930 lm | 350 mA | 70 mm |
| 12983003 | 12.5 W | 38° | 3.000 K | 920 lm | 350 mA | 95 mm |
| 12823003 | 8 W | 60° | 2.850 K | 900 lm | 24.00 V | 50 mm |
| 12843004 | 8 W | 60° | 2.000 K - 6.500 K | 640 lm | 24.00 V | 50 mm |
| 18438002 | 8 W | 60° | RGB+WW | 400 lm | 24.00 V | 50 mm |
| 12929503 | 6.3 W | 50° | 2.700 K / 3.000 K / 4.000 K | | 350 mA | 34 mm |