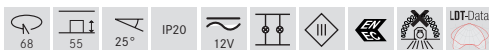
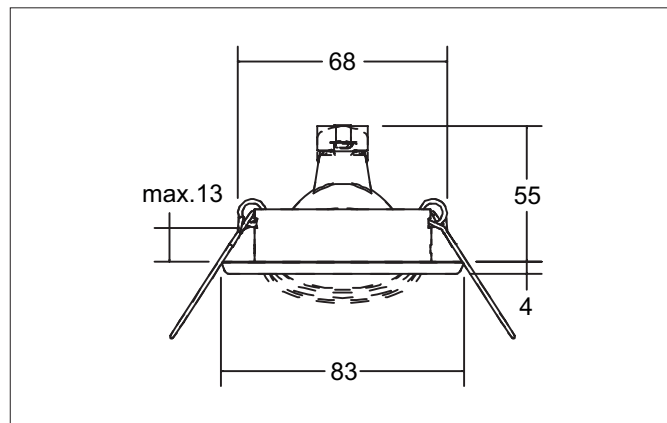


FALITO Recessed spot, GX5,3

Article no. 2191.22


Tender

Recessed spot, GX5,3, stainless steel matt, Round. In a compact design, for installation in tool-less rapid assembly systems. Lamp holder: GX5.3, Mounting method: Recessed mounting, Place of installation: Ceiling-mounted, Material: Stainless steel, Degree of protection: according to DIN EN 60529 IP20, Protection class: (EN 61140) III, Voltage: 12 V, Power: 13 W, Amount of light sources / fittings: 1 Qty, Adjustability: Pivoted, without control gear, Dimmable: Depending on type of control gear, Control: Depending on driver.

Product Benefits

- Recessed spotlight in round design made of V2A stainless steel for LED retrofit lamps with GX5.3 base.
- Ceiling cut-out 68 mm, diameter 83 mm, installation depth 55 mm, IP20.
- Pivoting range 25°.
- Version: with snap ring.
- Classic, formally restrained design.
- Also available as GU10 / GZ10 version in the same look.

FALITO Recessed spot, GX5,3

Article no. 2191.22

| Article data | |
|--------------------|----------------------|
| Article no. | 2191.22 |
| GTIN | 4250047706267 |
| Series name | FALITO |
| Short description | Recessed spot, GX5,3 |
| Material | Stainless steel |
| Colour | Stainless steel |
| Type of surface | Matt |
| Shape | Round |
| Outer diameter | 83 mm |
| Built-in diameter | 68 mm |
| Installation depth | 55 mm |
| Hight | 4 mm |
| Weight | 0.067 kg |
| stamp | ENEC 05 |
| Conformance | CE, UKCA |

| Operating technology of the luminaire | |
|---------------------------------------|-----------------------------------|
| System output | 50 W |
| Voltage type | AC/DC |
| AC nominal voltage max | 12 V |
| Frequency max | 50 Hz |
| Lamp | For LED-retrofill lamp |
| Lamp holder | GX5.3 |
| Protection class | III |
| Degree of protection | IP20 |
| Dimmable | Depending on type of control gear |
| Control | Depending on driver |
| Bulb change possible | Yes |

| Mounting technology | |
|------------------------|---|
| Mounting method | Recessed mounting |
| Place of installation | Ceiling-mounted |
| Adjustability | Pivoted |
| Swivel angle | 25° |
| Max. ceiling thickness | 13 mm |
| Further references | No cover with thermal insulation material |
| Material cover | Without cover |
| Circlip | With circlip |

| Packing data | |
|-------------------------|--|
| Gross weight | 0.086 kg |
| Length of packaging | 85 mm |
| Packaging width | 35 mm |
| Packaging hight | 84 mm |
| Disposal at end of life | <p>This product must not be disposed of with household waste. You are obliged, to dispose of such electrical waste separately.</p> <p>By disposing of electrical waste and other old or defective electronics separately, you support recycling or other forms of re-use. In that way you help to take care and to avoid that harmful substances get into the environment.</p> |

FALITO Recessed spot, GX5,3

Article no. 2191.22

| Compatible LED-modu- | | | | | | | |
|----------------------|--------|------------|-----------------------------|------------------|---------------|---------|-----------------|
| Article no. | Power | Beam angle | Colour temperature | Colour rendering | Luminous flux | Input | Hight LED-Modul |
| 12925003 | 3 W | 38° | 2.700 K | CRI > 80 | 290 lm | 350 mA | 40 mm |
| 12926003 | 3 W | 38° | 3.000 K | CRI > 80 | 310 lm | 350 mA | 40 mm |
| 12925004 | 3 W | 38° | 4.000 K | CRI > 80 | 340 lm | 350 mA | 40 mm |
| 12923383 | 6 W | 38° | 2.700 K | CRI > 80 | 740 lm | 350 mA | 32 mm |
| 12923603 | 6 W | 60° | 2.700 K | CRI > 80 | 720 lm | 350 mA | 32 mm |
| 12927383 | 6 W | 38° | 2.700 K | CRI > 90 | 600 lm | 350 mA | 32 mm |
| 12924383 | 6 W | 38° | 3.000 K | CRI > 80 | 730 lm | 350 mA | 32 mm |
| 12924603 | 6 W | 60° | 3.000 K | CRI > 80 | 770 lm | 350 mA | 32 mm |
| 12928383 | 6 W | 38° | 3.000 K | CRI > 90 | 680 lm | 350 mA | 32 mm |
| 12924384 | 6 W | 38° | 3.500 K | CRI > 80 | 730 lm | 350 mA | 32 mm |
| 12924604 | 6 W | 60° | 3.500 K | CRI > 80 | 770 lm | 350 mA | 32 mm |
| 12928384 | 6 W | 38° | 3.500 K | CRI > 90 | 680 lm | 350 mA | 32 mm |
| 12923384 | 6 W | 38° | 4.000 K | CRI > 80 | 770 lm | 350 mA | 32 mm |
| 12923604 | 6 W | 60° | 4.000 K | CRI > 80 | 790 lm | 350 mA | 32 mm |
| 12927384 | 6 W | 38° | 4.000 K | CRI > 90 | 720 lm | 350 mA | 32 mm |
| 12920183 | 6 W | 18° | 3.000 K | CRI > 80 | 740 lm | 350 mA | 31 mm |
| 12920243 | 6 W | 24° | 3.000 K | CRI > 80 | 760 lm | 350 mA | 31 mm |
| 12920003 | 6 W | 38° | 3.000 K | CRI > 80 | 780 lm | 350 mA | 31 mm |
| 12920603 | 6 W | 60° | 3.000 K | CRI > 80 | 760 lm | 350 mA | 31 mm |
| 12920184 | 6 W | 18° | 4.000 K | CRI > 80 | 780 lm | 350 mA | 31 mm |
| 12920244 | 6 W | 24° | 4.000 K | CRI > 80 | 790 lm | 350 mA | 31 mm |
| 12920004 | 6 W | 38° | 4.000 K | CRI > 80 | 810 lm | 350 mA | 31 mm |
| 12920604 | 6 W | 60° | 4.000 K | CRI > 80 | 780 lm | 350 mA | 31 mm |
| 12963383 | 6 W | 38° | 3.000 K - 1.800 K | CRI > 90 | 460 lm | 350 mA | 32 mm |
| 12963603 | 6 W | 60° | 3.000 K - 1.800 K | CRI > 90 | 460 lm | 350 mA | 32 mm |
| 12953003 | 12 W | 38° | 2.700 K | CRI > 80 | 1,130 lm | 350 mA | 70 mm |
| 12954003 | 12 W | 38° | 3.000 K | CRI > 80 | 1,360 lm | 350 mA | 70 mm |
| 12954004 | 12 W | 38° | 3.500 K | CRI > 80 | 1,290 lm | 350 mA | 70 mm |
| 12953004 | 12 W | 38° | 4.000 K | CRI > 80 | 1,300 lm | 350 mA | 70 mm |
| 12965003 | 12 W | 38° | 3.000 K - 1.800 K | CRI > 90 | 930 lm | 350 mA | 70 mm |
| 12983003 | 12.5 W | 38° | 3.000 K | CRI > 97 | 920 lm | 350 mA | 95 mm |
| 12823003 | 8 W | 60° | 2.850 K | CRI > 90 | 900 lm | 24.00 V | 50 mm |
| 12843004 | 8 W | 60° | 2.000 K - 6.500 K | CRI > 90 | 640 lm | 24.00 V | 50 mm |
| 18438002 | 8 W | 60° | RGB+WW | CRI > 90 | 400 lm | 24.00 V | 50 mm |
| 12929503 | 6.3 W | 50° | 2.700 K / 3.000 K / 4.000 K | CRI > 80 | 971 lm | 350 mA | 34 mm |

Optional accessories

Article no.: 5366

Bracket with socket GX5,3, with strain relief

https://www.brumberg.com/fileadmin/products/Datenblatt_00536600_2021_DE.pdf

Article no.: 5358

Bracket with socket GZ10, with strain relief

https://www.brumberg.com/fileadmin/products/Datenblatt_00535800_2021_DE.pdf