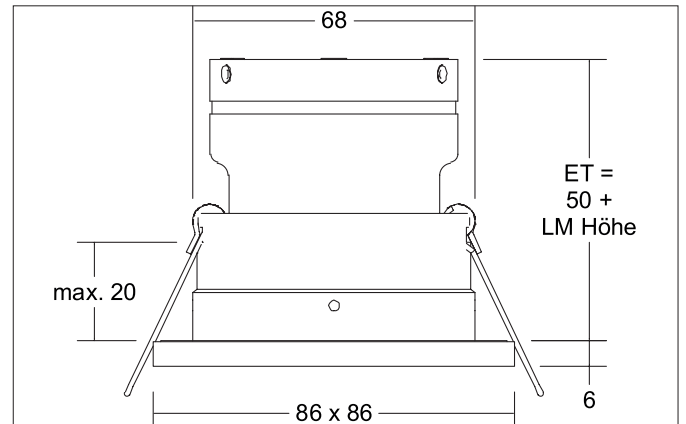


STEAM-S Recessed downlight, V4A, IP54

Article no. 37016080

Light.
For Generations.**Tender**

Recessed downlight, V4A, IP54, black structure, Square. In a compact design, for installation in tool-less rapid assembly systems. All Brumberg MR16 LED modules can be used for the STEAM installation unit up to the maximum specified output. The installation depth of the luminaire depends on the LED module used. The LED module is not included in the scope of delivery of the installation unit. Mounting method: Recessed mounting, Place of installation: Ceiling-mounted, Material: Stainless Steel V4A / Aluminum / Nylon / Glass, Degree of protection: according to DIN EN 60529 IP54, Protection class: (EN 61140) III, Power: 14 W, Amount of light sources / fittings: 1 Qty, Adjustability: Not adjustable, without control gear, Control: Depending on driver.

Article data	
Article no.	37016080
GTIN	4251433981015
Series name	STEAM-S
Short description	Recessed downlight, V4A, IP54
Material	Stainless Steel V4A / Aluminum / Nylon / Glass
Colour	Black
Type of surface	Structure
Shape	Square
Built-in diameter	68 mm
Length	86 mm
Width	86 mm
Height	6 mm
Scope of delivery	Incl. rear LED module holder and satined glass
Weight	0.236 kg
Conformance	CE, UKCA

STEAM-S Recessed downlight, V4A, IP54

Article no. 37016080

Light.
For Generations.

Lighting technology	
Colour temperature	Je nach verwendetem Brumberg MR16-LED-Modul
Light output	Direct
Light sharing	Symmetric
Adjustable color temperature	No

Operating technology of the luminaire	
System output	14 W
Voltage type	DC
Lamp	For LED
Protection class	III
Degree of protection	IP54
Protection class on the ceiling side	IP20
Ambient temperature	-20 °C bis +90 °C
Control	Depending on driver
Bulb change possible	Yes

Mounting technology	
Mounting method	Recessed mounting
Place of installation	Ceiling-mounted
Adjustability	Not adjustable
Max. ceiling thickness	20 mm
Further references	No cover with thermal insulation material
Material cover	Glass, satinised
Circlip	Without circlip

Packing data	
Gross weight	0.264 kg
Length of packaging	100 mm
Packaging width	90 mm
Packaging height	82 mm
Disposal at end of life	This product must not be disposed of with household waste. You are obliged, to dispose of such electrical waste separately. By disposing of electrical waste and other old or defective electronics separately, you support recycling or other forms of re-use. In that way you help to take care and to avoid that harmful substances get into the environment.

STEAM-S Recessed downlight, V4A, IP54

Article no. 37016080

Light.
For Generations.

Compatible LED-modules						
Article no.	Power	Beam angle	Colour temperature	Luminous flux	Input	Hight LED-Modul
12925003	3 W	38°	2.700 K	290 lm	350 mA	40 mm
12926003	3 W	38°	3.000 K	310 lm	350 mA	40 mm
12925004	3 W	38°	4.000 K	340 lm	350 mA	40 mm
12923383	6 W	38°	2.700 K	600 lm	350 mA	32 mm
12923603	6 W	60°	2.700 K	570 lm	350 mA	32 mm
12924383	6 W	38°	3.000 K	680 lm	350 mA	32 mm
12924603	6 W	60°	3.000 K	660 lm	350 mA	32 mm
12924384	6 W	38°	3.500 K	680 lm	350 mA	32 mm
12924604	6 W	60°	3.500 K	660 lm	350 mA	32 mm
12923384	6 W	38°	4.000 K	720 lm	350 mA	32 mm
12923604	6 W	60°	4.000 K	700 lm	350 mA	32 mm
12920183	6 W	18°	3.000 K	640 lm	350 mA	31 mm
12920243	6 W	24°	3.000 K	690 lm	350 mA	31 mm
12920003	6 W	38°	3.000 K	670 lm	350 mA	31 mm
12920603	6 W	60°	3.000 K	620 lm	350 mA	31 mm
12920184	6 W	18°	4.000 K	685 lm	350 mA	31 mm
12920244	6 W	24°	4.000 K	740 lm	350 mA	31 mm
12920004	6 W	38°	4.000 K	720 lm	350 mA	31 mm
12920604	6 W	60°	4.000 K	660 lm	350 mA	31 mm
12963383	6 W	38°	3.000 K - 1.800 K	460 lm	350 mA	32 mm
12963603	6 W	60°	3.000 K - 1.800 K	430 lm	350 mA	32 mm
12953003	12 W	38°	2.700 K	1,120 lm	350 mA	70 mm
12954003	12 W	38°	3.000 K	1,210 lm	350 mA	70 mm
12954004	12 W	38°	3.500 K	1,240 lm	350 mA	70 mm
12953004	12 W	38°	4.000 K	1,250 lm	350 mA	70 mm
12965003	12 W	38°	3.000 K - 1.800 K	930 lm	350 mA	70 mm
12983003	12.5 W	38°	3.000 K	920 lm	350 mA	95 mm
12823003	8 W	60°	2.850 K	900 lm	24.00 V	50 mm
12843004	8 W	60°	2.000 K - 6.500 K	640 lm	24.00 V	50 mm
18438002	8 W	60°	RGB+WW	400 lm	24.00 V	50 mm
12929503	6.3 W	50°	2.700 K / 3.000 K / 4.000 K		350 mA	34 mm