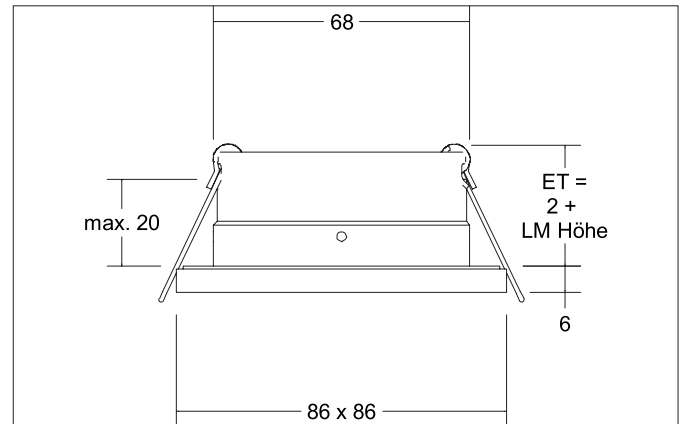
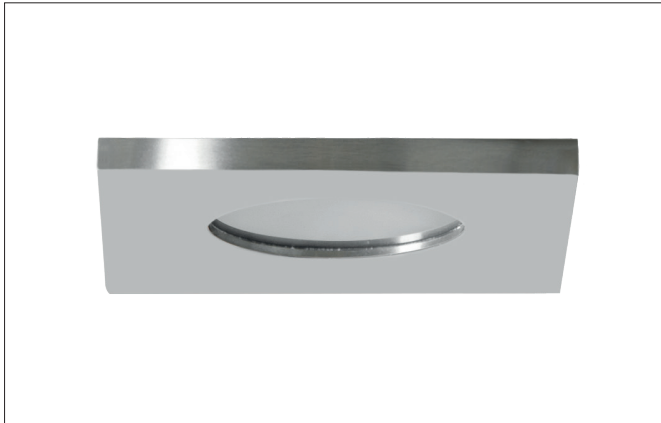


STEAM-S Recessed downlight, V4A, IP54
Article no. 37006420Light.
For Generations.**Tender**

Recessed downlight, V4A, IP54, stainless steel matt, Square. In a compact design, for installation in tool-less rapid assembly systems. All Brumberg MR16 LED modules can be used for the STEAM installation unit up to the maximum specified output. The installation depth of the luminaire depends on the LED module used. The LED module is not included in the scope of delivery of the installation unit. Mounting method: Recessed mounting, Place of installation: Ceiling-mounted, Material: Stainless Steel V4A / Aluminum / Nylon / Glass, Degree of protection: according to DIN EN 60529 IP54, Protection class: (EN 61140) III, Power: 14 W, Amount of light sources / fittings: 1 Qty, Adjustability: Not adjustable, without control gear, Control: Depending on driver.

| Article data | |
|-------------------|--|
| Article no. | 37006420 |
| GTIN | 4251433935810 |
| Series name | STEAM-S |
| Short description | Recessed downlight, V4A, IP54 |
| Material | Stainless Steel V4A / Aluminum / Nylon / Glass |
| Colour | Stainless steel |
| Type of surface | Matt |
| Shape | Square |
| Built-in diameter | 68 mm |
| Length | 86 mm |
| Width | 86 mm |
| Height | 6 mm |
| Scope of delivery | Incl. rear LED module holder and satined glass |
| Weight | 0.201 kg |
| Conformance | CE, UKCA |

STEAM-S Recessed downlight, V4A, IP54

Article no. 37006420

Light.
For Generations.

| Lighting technology | |
|------------------------------|---|
| Colour temperature | Je nach verwendetem Brumberg MR16-LED-Modul |
| Light output | Direct |
| Light sharing | Symmetric |
| Adjustable color temperature | No |

| Operating technology of the luminaire | |
|---------------------------------------|---------------------|
| System output | 14 W |
| Voltage type | DC |
| Lamp | For LED |
| Protection class | III |
| Degree of protection | IP54 |
| Protection class on the ceiling side | IP20 |
| Ambient temperature | -20 °C bis +90 °C |
| Control | Depending on driver |
| Bulb change possible | Yes |

| Mounting technology | |
|------------------------|---|
| Mounting method | Recessed mounting |
| Place of installation | Ceiling-mounted |
| Adjustability | Not adjustable |
| Max. ceiling thickness | 20 mm |
| Further references | V4A Outdoor No cover with thermal insulation material Smarthome |
| Material cover | Glass, satinised |
| Circlip | Without circlip |

| Packing data | |
|-------------------------|---|
| Gross weight | 0.225 kg |
| Length of packaging | 102 mm |
| Packaging width | 88 mm |
| Packaging height | 55 mm |
| Disposal at end of life | This product must not be disposed of with household waste. You are obliged, to dispose of such electrical waste separately. By disposing of electrical waste and other old or defective electronics separately, you support recycling or other forms of re-use. In that way you help to take care and to avoid that harmful substances get into the environment. |

STEAM-S Recessed downlight, V4A, IP54

Article no. 37006420

Light.
For Generations.

| Compatible LED-modules | | | | | | |
|------------------------|--------|------------|-----------------------------|---------------|---------|-----------------|
| Article no. | Power | Beam angle | Colour temperature | Luminous flux | Input | Hight LED-Modul |
| 12925003 | 3 W | 38° | 2.700 K | 290 lm | 350 mA | 40 mm |
| 12926003 | 3 W | 38° | 3.000 K | 310 lm | 350 mA | 40 mm |
| 12925004 | 3 W | 38° | 4.000 K | 340 lm | 350 mA | 40 mm |
| 12923383 | 6 W | 38° | 2.700 K | 600 lm | 350 mA | 32 mm |
| 12923603 | 6 W | 60° | 2.700 K | 570 lm | 350 mA | 32 mm |
| 12924383 | 6 W | 38° | 3.000 K | 680 lm | 350 mA | 32 mm |
| 12924603 | 6 W | 60° | 3.000 K | 660 lm | 350 mA | 32 mm |
| 12924384 | 6 W | 38° | 3.500 K | 680 lm | 350 mA | 32 mm |
| 12924604 | 6 W | 60° | 3.500 K | 660 lm | 350 mA | 32 mm |
| 12923384 | 6 W | 38° | 4.000 K | 720 lm | 350 mA | 32 mm |
| 12923604 | 6 W | 60° | 4.000 K | 700 lm | 350 mA | 32 mm |
| 12920183 | 6 W | 18° | 3.000 K | 640 lm | 350 mA | 31 mm |
| 12920243 | 6 W | 24° | 3.000 K | 690 lm | 350 mA | 31 mm |
| 12920003 | 6 W | 38° | 3.000 K | 670 lm | 350 mA | 31 mm |
| 12920603 | 6 W | 60° | 3.000 K | 620 lm | 350 mA | 31 mm |
| 12920184 | 6 W | 18° | 4.000 K | 685 lm | 350 mA | 31 mm |
| 12920244 | 6 W | 24° | 4.000 K | 740 lm | 350 mA | 31 mm |
| 12920004 | 6 W | 38° | 4.000 K | 720 lm | 350 mA | 31 mm |
| 12920604 | 6 W | 60° | 4.000 K | 660 lm | 350 mA | 31 mm |
| 12963383 | 6 W | 38° | 3.000 K - 1.800 K | 460 lm | 350 mA | 32 mm |
| 12963603 | 6 W | 60° | 3.000 K - 1.800 K | 430 lm | 350 mA | 32 mm |
| 12953003 | 12 W | 38° | 2.700 K | 1,120 lm | 350 mA | 70 mm |
| 12954003 | 12 W | 38° | 3.000 K | 1,210 lm | 350 mA | 70 mm |
| 12954004 | 12 W | 38° | 3.500 K | 1,240 lm | 350 mA | 70 mm |
| 12953004 | 12 W | 38° | 4.000 K | 1,250 lm | 350 mA | 70 mm |
| 12965003 | 12 W | 38° | 3.000 K - 1.800 K | 930 lm | 350 mA | 70 mm |
| 12983003 | 12.5 W | 38° | 3.000 K | 920 lm | 350 mA | 95 mm |
| 12823003 | 8 W | 60° | 2.850 K | 900 lm | 24.00 V | 50 mm |
| 12843004 | 8 W | 60° | 2.000 K - 6.500 K | 640 lm | 24.00 V | 50 mm |
| 18438002 | 8 W | 60° | RGB+WW | 400 lm | 24.00 V | 50 mm |
| 12929503 | 6.3 W | 50° | 2.700 K / 3.000 K / 4.000 K | | 350 mA | 34 mm |