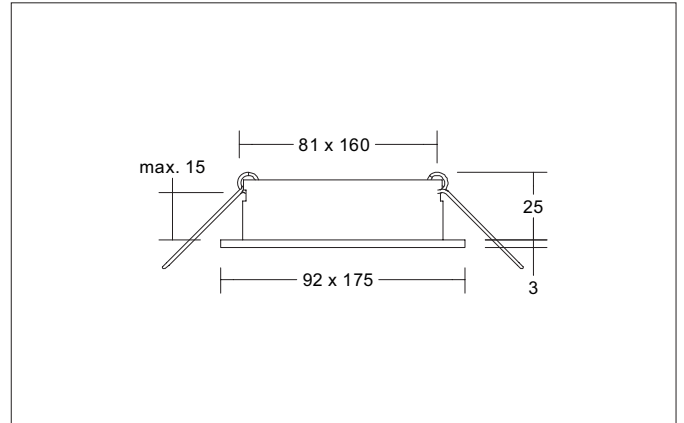


**M1 Recessed housing, rectangular, flush, 2-x, with flush module holders, rigid**

Article no. 45024560

Light.  
For Generations.**Tender**

Recessed housing, rectangular, flush, 2-x, with flush module holders, rigid, outside black structure / inside white structure, Square. In a compact design, for installation in tool-less rapid assembly systems. All Brumberg MR16 LED modules can be used for the installation unit M1 up to the maximum specified power. The installation depth of the luminaire depends on the LED module used. The LED module is not included in the scope of delivery of the installation unit. Lamp holder: Without fitting, Mounting method: Recessed mounting, Place of installation: Ceiling-mounted, Material: Aluminium, Degree of protection: according to DIN EN 60529 IP44, Protection class: (EN 61140) III, Power: 14 W, Amount of light sources / fittings: 2 Qty, Adjustability: Not adjustable, without control gear, Control: Other.

**Product Benefits**

- Teil des modular aufgebauten M1-Systems für Deckenein- und -anbau.
- Leergehäuse zur Aufnahme von Brumberg-LED-Modulen bis zu einer Leistung von max. 14 W.
- Als ähnliches, starres Gehäuse raumseitig auch in Ausführung IP44 lieferbar.
- Lieferbar in einfarbig strukturweiß, strukturschwarz oder in Kombination strukturweiß / strukturschwarz oder strukturschwarz / strukturweiß.
- 155 weitere Gehäuseversionen plus ca. 30 verschiedene LED-Module für diese Gehäuseversionen für alle gängigen Ansteuerungsarten.
- Darüber hinaus einlampige Versionen im Portfolio.

**M1 Recessed housing, rectangular, flush, 2-x, with flush module holders, rigid**

Article no. 45024560

Light.  
For Generations.

| Article data      |   |
|-------------------|---|
| Article no.       | 45024560  |
| GTIN              | 4251433931522   |
| Series name       | M1  |
| Short description | Recessed housing, rectangular, flush, 2-x, with flush module holders, rigid |
| Material          | Aluminium   |
| Colour            | Black / White   |
| Type of surface   | Structure   |
| Shape             | Square  |
| Built-in width    | 160 mm  |
| Built-in length   | 81 mm   |
| Length            | 175 mm  |
| Width             | 92 mm   |
| Height            | 3 mm  |
| Scope of delivery | Incl. module brackets flush, rigid, IP44                                    |
| Weight            | 0.276 kg  |

| Operating technology of the luminaire |                     |
|---------------------------------------|---------------------|
| Lamp                                  | For LED             |
| Lamp holder                           | Without fitting     |
| Protection class                      | III                 |
| Degree of protection                  | IP44                |
| Schutzart deckenseitig                | IP20                |
| Control                               | Depending on driver |
| Bulb change possible                  | Yes                 |

| Mounting technology    |   |
|------------------------|---|
| Mounting method        | Recessed mounting                         |
| Place of installation  | Ceiling-mounted                           |
| Adjustability          | Not adjustable                            |
| Max. ceiling thickness | 15 mm                                     |
| Further references     | No cover with thermal insulation material |
| Material cover         | Glass transparent                         |
| Circlip                | Without circlip                           |

| Packing data            |   |
|-------------------------|---|
| Gross weight            | 0.319 kg  |
| Length of packaging     | 180 mm  |
| Packaging width         | 115 mm  |
| Packaging height        | 48 mm   |
| Disposal at end of life | This product must not be disposed of with household waste. You are obliged, to dispose of such electrical waste separately.<br>By disposing of electrical waste and other old or defective electronics separately, you support recycling or other forms of re-use. In that way you help to take care and to avoid that harmful substances get into the environment. |

**M1 Recessed housing, rectangular, flush, 2-x, with flush module holders, rigid**

Article no. 45024560

Light.  
For Generations.

| Compatible LED-modules |        |            |                    |               |         |                 |
|------------------------|--------|------------|--------------------|---------------|---------|-----------------|
| Article no.            | Power  | Beam angle | Colour temperature | Luminous flux | Input   | Hight LED-Modul |
| 12925003               | 3 W    | 38°        | 2.700 K            | 290 lm        | 350 mA  | 40 mm           |
| 12926003               | 3 W    | 38°        | 3.000 K            | 310 lm        | 350 mA  | 40 mm           |
| 12925004               | 3 W    | 38°        | 4.000 K            | 340 lm        | 350 mA  | 40 mm           |
| 12923383               | 6 W    | 38°        | 2.700 K            | 600 lm        | 350 mA  | 32 mm           |
| 12923603               | 6 W    | 60°        | 2.700 K            | 570 lm        | 350 mA  | 32 mm           |
| 12924383               | 6 W    | 38°        | 3.000 K            | 680 lm        | 350 mA  | 32 mm           |
| 12924603               | 6 W    | 60°        | 3.000 K            | 660 lm        | 350 mA  | 32 mm           |
| 12924384               | 6 W    | 38°        | 3.500 K            | 680 lm        | 350 mA  | 32 mm           |
| 12924604               | 6 W    | 60°        | 3.500 K            | 660 lm        | 350 mA  | 32 mm           |
| 12923384               | 6 W    | 38°        | 4.000 K            | 720 lm        | 350 mA  | 32 mm           |
| 12923604               | 6 W    | 60°        | 4.000 K            | 700 lm        | 350 mA  | 32 mm           |
| 12920183               | 6 W    | 18°        | 3.000 K            | 640 lm        | 350 mA  | 31 mm           |
| 12920243               | 6 W    | 24°        | 3.000 K            | 690 lm        | 350 mA  | 31 mm           |
| 12920003               | 6 W    | 38°        | 3.000 K            | 670 lm        | 350 mA  | 31 mm           |
| 12920603               | 6 W    | 60°        | 3.000 K            | 620 lm        | 350 mA  | 31 mm           |
| 12920184               | 6 W    | 18°        | 4.000 K            | 685 lm        | 350 mA  | 31 mm           |
| 12920244               | 6 W    | 24°        | 4.000 K            | 740 lm        | 350 mA  | 31 mm           |
| 12920004               | 6 W    | 38°        | 4.000 K            | 720 lm        | 350 mA  | 31 mm           |
| 12920604               | 6 W    | 60°        | 4.000 K            | 660 lm        | 350 mA  | 31 mm           |
| 12963383               | 6 W    | 38°        | 3.000 K - 1.800 K  | 460 lm        | 350 mA  | 32 mm           |
| 12963603               | 6 W    | 60°        | 3.000 K - 1.800 K  | 430 lm        | 350 mA  | 32 mm           |
| 12953003               | 12 W   | 38°        | 2.700 K            | 1,120 lm      | 350 mA  | 70 mm           |
| 12954003               | 12 W   | 38°        | 3.000 K            | 1,210 lm      | 350 mA  | 70 mm           |
| 12954004               | 12 W   | 38°        | 3.500 K            | 1,240 lm      | 350 mA  | 70 mm           |
| 12953004               | 12 W   | 38°        | 4.000 K            | 1,250 lm      | 350 mA  | 70 mm           |
| 12965003               | 12 W   | 38°        | 3.000 K - 1.800 K  | 930 lm        | 350 mA  | 70 mm           |
| 12983003               | 12.5 W | 38°        | 3.000 K            | 920 lm        | 350 mA  | 95 mm           |
| 12823003               | 8 W    | 60°        | 2.850 K            | 900 lm        | 24.00 V | 50 mm           |
| 12843004               | 8 W    | 60°        | 2.000 K - 6.500 K  | 640 lm        | 24.00 V | 50 mm           |
| 18438002               | 8 W    | 60°        | RGB+WW             | 400 lm        | 24.00 V | 50 mm           |