

WALLBOX eMH3

TWIN EXTENDER WITH CHARGING CABLES

22 kW

The Wallbox eMH3 features two fixed charging cables with Type 2 charging connectors. Thanks to its ability to charge two vehicles simultaneously, it is the ideal solution for applications with a backend or load management. In multiple unit installations up to 7 Wallboxes eMH3 extender can be connected to one controller unit. Alternatively, the Wallbox eMH3 can be configured for stand-alone use using the software provided. With a Type A residual current circuit breaker (RCCB) and fault current detection integrated as standard, the wallbox is pre-installed and ready for connection by the installing technician and for immediate use. The eMH3 is 'Made in Germany' and offers the highest safety standards available.



General information

Model	eMH3
Product number	3W2274
EAN number	4011721183404
Commodity code	85371091
Packaging unit (PU)	1 unit
Packaging (dimensions HxWxD)	736 x 487 x 381 mm
Items supplied	Wallbox, printed operating manual, 1 triangular key, installation kit

Input/mains supply

External power supply	Supply cables up to a maximum of 16 mm ² or cable diameters ≤ 25 mm
Rated voltage	230/400 V
Rated current	32 A
Rated frequency	50 Hz
Upstream fuse	32 A (required onsite), C characteristic recommended
Terminal blocks	Direct connection to RCCB PE: feed-through terminal block

Output/vehicle connection

Connection system	Two charging cables with Type 2 connectors in acc. with IEC62196-2, approx. 6 m
Output voltage	230/400 V
Max. charging current	32 A
Maximum output	2 x 11 kW or 1 x 22 kW

Protection/integrated components

RCCB	RCCB, type A, 30 mA
DC fault current detection	electronic, $I_{\Delta n \text{ d.c.}} \geq 6 \text{ mA}$
Energy meter	MID compliant
Load switching	Installation contactor, 4-pole, 40 A
Weld detection	Contactors welding switches off the charging point
Overcurrent protection	Integrated into firmware, disconnection at 110% after 100 seconds, at 120% after 10 seconds
Temperature monitoring	internal, charging current reduction or shut down

Charge monitoring/status indicators

Operating status indicator	LED
Access control	RFID card, QR code or smartphone app
Communication EV	in acc. with IEC 61851-1 Mode 3
Communication EVSE	RS485
Backend communication	Via controller wallbox

Standards/guidelines

IEC 61851-1
IEC 61439-7 ACSEV

Operating conditions

Storage temperature	-30 to 85°C
Operating temperature	-25 to 40°C
Relative humidity	5 to 95%, no condensation
Class of protection	I
Overvoltage category	III
Degree of pollution	3
Degree of protection (housing)	IP54
Impact strength	IK08
Maximum elevation	$\leq 2,000 \text{ m AMSL}$
Power dissipation	6.5 W

Housing

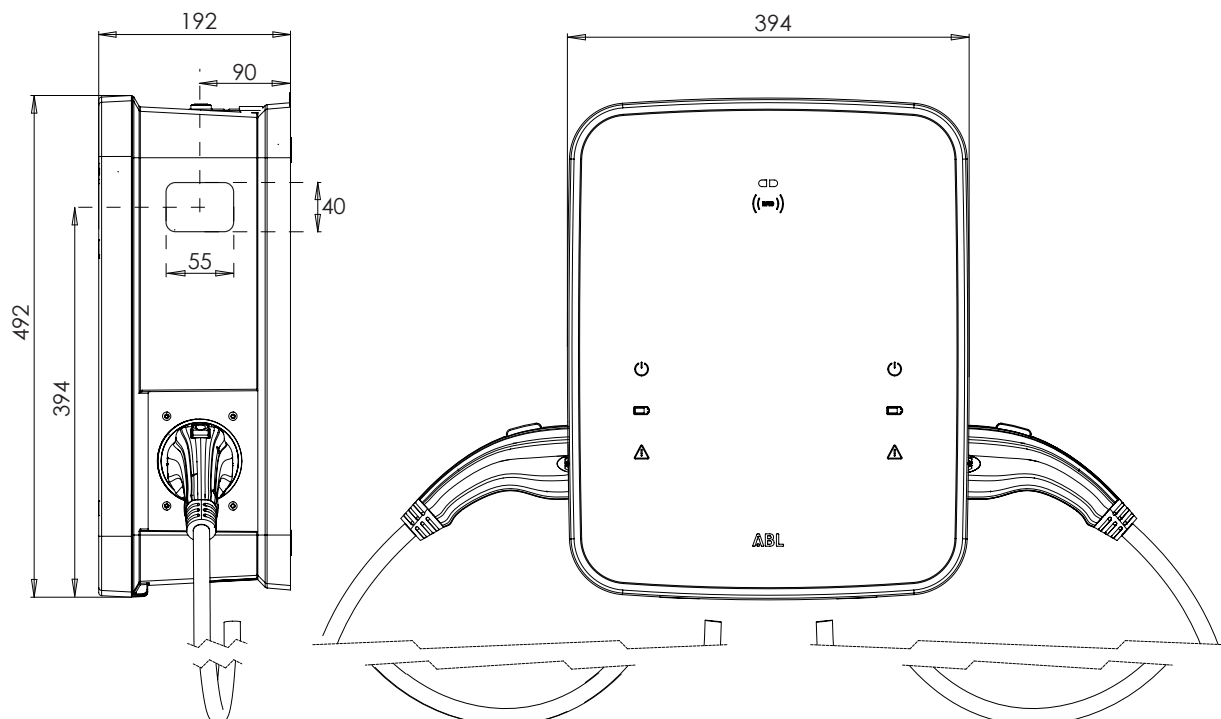
Type	Wall-mounted housing
Fixing type	Wall installation using mounting plate and installation kit
Material (housing/cover)	Plastic
Housing colour	black, similar to RAL9011
Cover colour	silver, similar to RAL9006 / black, similar to RAL9017
Locking mechanism	integrated triangular key lock
Dimensions (HxWxD)	492 x 394 x 192 mm (housing base without overhangs)
Weight (net)	approx. 21 kg

Optional accessories

Pole	POLEMH3
Foundation block for pole	EMH9999
Double pole	POLEMH6
Foundation block for double pole	EMH9996
Weather protection roof	WPR36
Cable storage holder with charging plug adapter	CABHOLD
Configuration kit	CONF CAB
RFID card	E017869, 5 pcs
Multi-purpose installation tester	TE001
Vehicle simulation adapter	TE002

see website at www.ablmobility.de

Dimensioned drawing



Subject to change: All performance characteristics, technical and other specifications are subject to change without prior notice.