

CONTROL UNIT 1V0001

FOR CONTROLLER/EXTENDER APPLICATIONS & reev Dashboard Basic

The external control unit is specially designed for use in group solutions based on the Controller/Extender principle. It replaces the controller wallbox and then takes over the configuration and control of up to 16 charging points. The included 24-month reev Dashboard Basic enables future-proof operation, regular software updates, as well as flexible user and RFID management. Integrated load management intelligently distributes the total charging current available from the domestic power installation to all charge points in the system. Its Dashboard communication via an integrated LTE module and OCPP makes the external control unit particularly suitable for use in semi-public and public applications.



General information

| | |
|------------------------------|--------------------------------|
| Model | External control unit |
| Product number | 1V0001B |
| EAN number | 4011721181530 |
| Commodity code | 85371091 |
| Packaging unit (PU) | 1 unit |
| Packaging (dimensions HxWxD) | 370 x 285 x 170 mm |
| Items supplied | Control unit, installation kit |

Input/mains supply

| | |
|-----------------------|---|
| External power supply | for supply cable sizes up to 2 x 50 mm ² (RCCB) and 1 x 4 mm ² (PE) |
| Rated voltage | 230 V |
| Rated current | 0,2 A (40 A inrush current) |
| Rated frequency | 50 Hz |
| Upstream fuse | not required |
| Terminal blocks | Direct connection to RCD PE to terminal block |
| Cable entry | 1 x M32 (top side) and 2 x M32 (bottom side) |

Protection/integrated components

| | |
|------|----------------------------|
| RCCB | RCD, Type A, 30 mA |
| MCB | B characteristic, 6 A, 1+N |

Charge monitoring

| | |
|-----------------------|--------------------|
| Backend communication | LAN, LTE, OCPP 1.6 |
|-----------------------|--------------------|

Software/Backend

| | |
|------------------|---|
| Access control | Driver and vehicle access rights allocated via RFID cards |
| Software updates | Automatic and free software updates |

Operating conditions

| | |
|-----------------------|---------------------------|
| Operating temperature | -30 to 40°C |
| Storage temperature | -30 to 85°C |
| Relative humidity | 5 to 95%, no condensation |
| Class of protection | I |
| Overvoltage category | III |
| Degree of pollution | 3 |
| IP rating | IP44 |
| Maximum elevation | ≤ 2,000 m AMSL |
| Power dissipation | 4.5 W |

Standards/guidelines

| |
|-------------|
| IEC 61439-1 |
|-------------|

Housing

| | |
|--------------------|--|
| Type | Wall-mounted housing |
| Fixing type | Wall bracket (mounting kit provided) |
| Material (housing) | Plastic |
| Housing colour | Anthracite |
| Material (cover) | Plastic |
| Cover colour | Light grey |
| Locking mechanism | Metric screw with knurled plastic head |
| Dimensions (HxWxD) | 320 x 205 x 146 mm |
| Weight (net) | approx. 2 kg |
| Weight (gross) | approx. 3.5 kg |

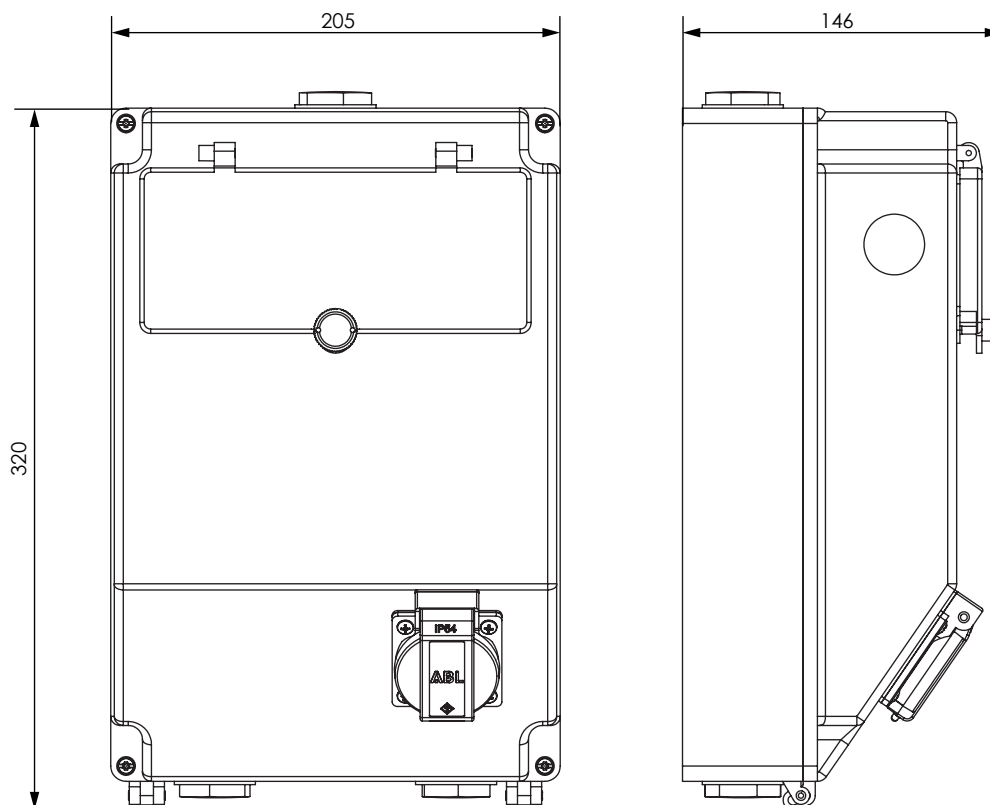
Optional accessories

Configuration kit

CONF CAB

see website at www.ablmobility.de

Dimensioned drawing



Subject to change: All performance characteristics, technical and other specifications are subject to change without prior notice.

ABL SURSUM
Bayerische Elektrozubehör GmbH & Co. KG

Albert-Büttner-Straße 11
D-91207 Lauf / Pegnitz

Phone +49 (0) 9123 188-0
Fax +49 (0) 9123 188-188

info@abl.de
www.ablmobility.de

reev
by emonvia GmbH

Theo-Prosel-Weg
D-80797 München

Phone +49 (0) 89 215 389 70

sales@reev.com
www.reev.com