

# CONTROL UNIT reev ready

## FOR CONTROLLER/EXTENDER APPLICATIONS

The external control unit reev ready is specially designed for use in group solutions based on the Controller/Extender principle, which are invoiced via the reev backend. The reev ready control unit is already pre-configured free of charge for simple activation of the reev software. After commissioning, it has connectivity for 2 years.

Activating the reev backend also enables free access to its remote services during the licence period. Using the reev ready licence keys (via their respective reev ready Extender Wallboxes), the reev dashboard for the pre-configured ABL control centre can easily be activated up to 2 years after commissioning. Licences are required for the individual charge points of Extender Wallboxes only.

Integrated load management intelligently distributes the total charging current available from the domestic power installation to all charge points in the system. Its backend communication via an integrated LTE module and OCPP makes the external control unit particularly suitable for use in semi-public and public applications.



## General information

Model	External control unit
Product number	1V0001B
EAN number	4011721181530
Commodity code	85371091
Packaging unit (PU)	1 unit
Packaging (dimensions HxWxD)	370 x 285 x 170 mm
Items supplied	Control unit, installation kit, reev onboarding guide, 1 reev RFID test key, reev operator set 1 SIM card

## Input/mains supply

External power supply	For supply cable sizes up to 2 × 50 mm <sup>2</sup> (RCCB) and 1 × 4 mm <sup>2</sup> (PE)
Rated voltage	230 V
Rated current	0,2 A (40 A inrush current)
Rated frequency	50 Hz
Upstream fuse	Not required
Terminal blocks	Direct connection to RCD PE to terminal block
Cable entry	1 × M32 (top side) and 2 × M32 (bottom side)

## Protection/integrated components

RCCB	RCD, Type A, 30 mA
MCB	B characteristic, 6 A, 1+N

## Charge monitoring

Backend communication	LAN, LTE, optional Wifi, OCPP 1.5 + 1.6
-----------------------	---

## Operating conditions

Operating temperature	-30 to 40°C
Storage temperature	-30 to 85°C
Relative humidity	5 to 95%, no condensation
Class of protection	I
Overvoltage category	III
Degree of pollution	3
IP rating	IP44
Maximum elevation	≤ 2000 m AMSL
Power dissipation	4.5 W

## Housing

Type	Wall-mounted housing
Fixing type	Wall bracket (mounting kit provided)
Material (housing)	Plastic
Housing colour	Anthracite
Material (cover)	Plastic
Cover colour	Light grey
Locking mechanism	Metric screw with knurled plastic head
Dimensions (H×W×D)	320 × 205 × 146 mm
Weight (net)	Approx. 2 kg
Weight (gross)	Approx. 3.5 kg

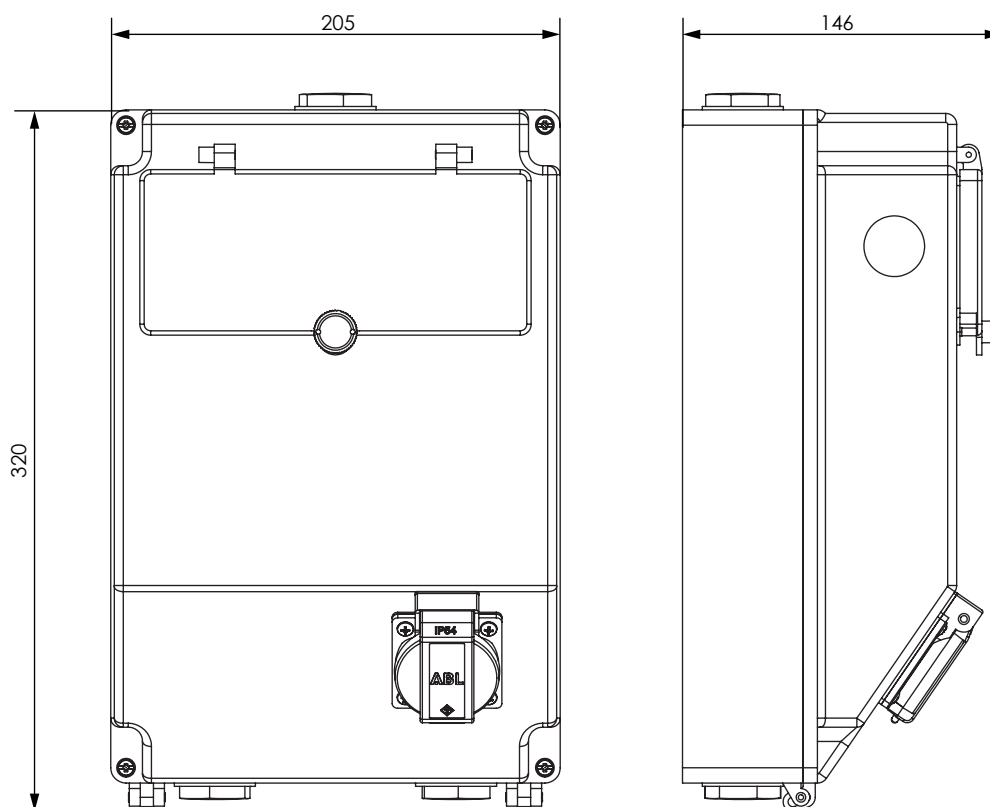
## Standards/guidelines

IEC 61439-1

## Optional accessories

reev ready Compact licence key	100000188
reev ready Pro licence key	100000189
Configuration kit	CONFCAB
Dynamic load management up to 300 A	METERS
Dynamic load management up to 600 A	METERL

## Dimensioned drawing



Subject to change: All performance characteristics, technical and other specifications are subject to change without prior notice.

Revision status ABL\_1V0001B\_EN\_h, 11/22