

CHARGING CABLE HOLDER CABHOLD

For Wallboxes eMH1, eMH2, eMH3 AND eM4 Twin

This charging cable holder with integrated Type 2 charging plug receptacle is designed for wall installation as well as on all POLE mounting poles from ABL. The cable holder is colour coordinated with the charging poles and weather shields, blending harmoniously into the overall look of the charge point. Its functional design makes it suitable for all types of wall installation sites and offers plenty of room, even for 22 kW charging cables. The charging plug receptacle can be installed facing either direction, and lateral plug storage makes it a space saver in day-to-day use.



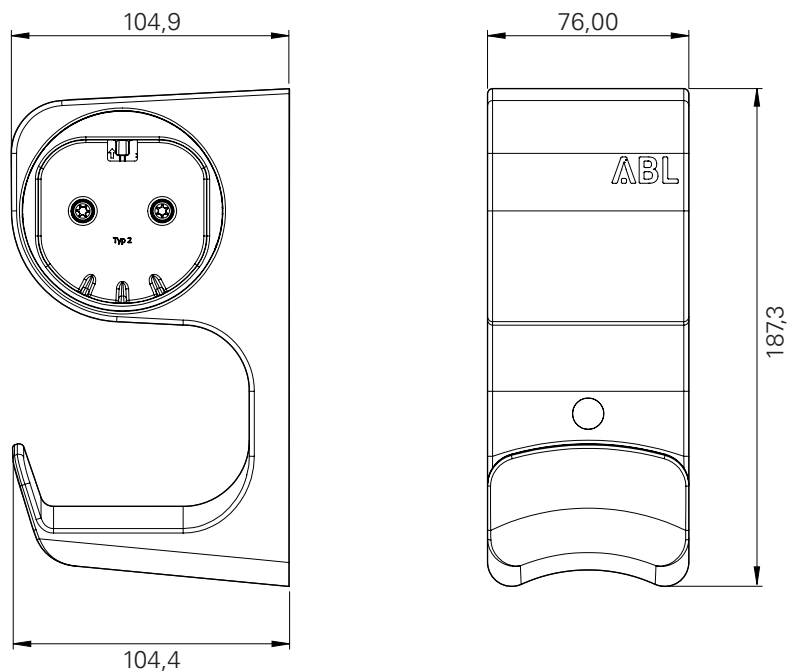
General information

Model	Charging cable holder for Wallboxes eMH1, eMH2, eMH3 and eM4 Twin
Product number	CABHOLD
EAN number	4011721184036
Commodity code	85389099
Packaging unit (PU)	1 unit
Items supplied	Charging cable holder, adapter ring incl. counterpart, installation kit, download notice

Housing

Type	Plastic storage holder for charging cable with bilateral use charging plug receptacle
Fixing type	Screw mounted to a wall or a mounting pole of the POLE series
Material	ABS plastic / polycarbonate
Housing colour	Comparable to RAL 9011
Product dimensions (HxWxD)	187 x 110 x 76 mm
Packaging dimensions (HxWxD)	230 x 110 x 105 mm
Weight (net)	Approx. 0.38 kg
Weight (gross)	Approx. 0.45 kg

Dimensioned drawing



Subject to change: All performance characteristics, technical and other specifications are subject to change without prior notice.

Revision status ABL_CABHOLD_EN_c, 08/22