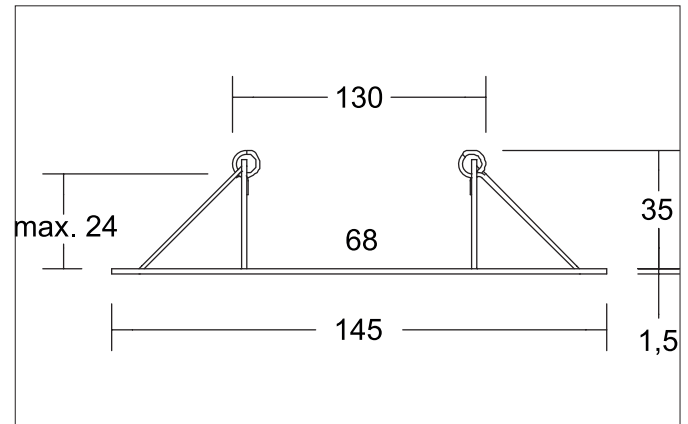


BRENA Reducing ring D 145 mm, for luminaire cut-out size 68 mm

Article no. 81206070

Light.
For Generations.**Tender**

Reducing ring D 145 mm, for luminaire cut-out size 68 mm, glossy white. Reducing ring with inner hole 68 mm. Diameter: 145 mm. The final installation depth depends on the depends on the installed luminaire. Installation depth without light: 35 mm. Maximum ceiling thickness: 24 mm, height: 1.5 mm. Can be used for on-site opening of 130 mm. Material: Steel, .

Article data

Article no.	81206070
GTIN	4251433999263
Series name	BRENA
Short description	Reducing ring D 145 mm, for luminaire cut-out size 68 mm
Material	Steel
Type of surface	Glossy
Weight	0.174 kg
stamp	UKCA

Packing data

Gross weight	0.244 kg
Length of packaging	175 mm
Packaging width	175 mm
Packaging height	50 mm
Disposal at end of life	This product must not be disposed of with household waste. You are obliged, to dispose of such electrical waste separately. By disposing of electrical waste and other old or defective electronics separately, you support recycling or other forms of re-use. In that way you help to take care and to avoid that harmful substances get into the environment.