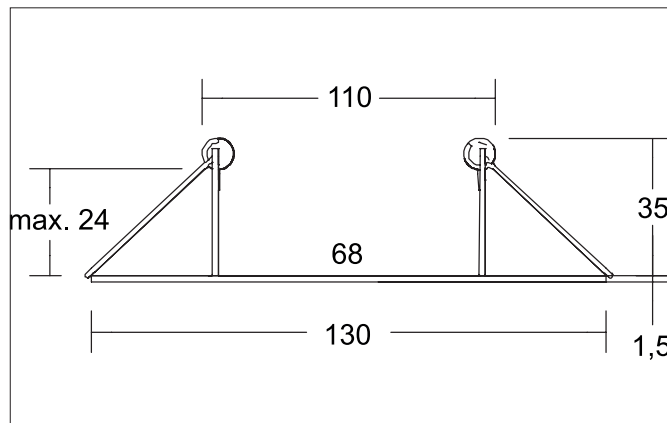
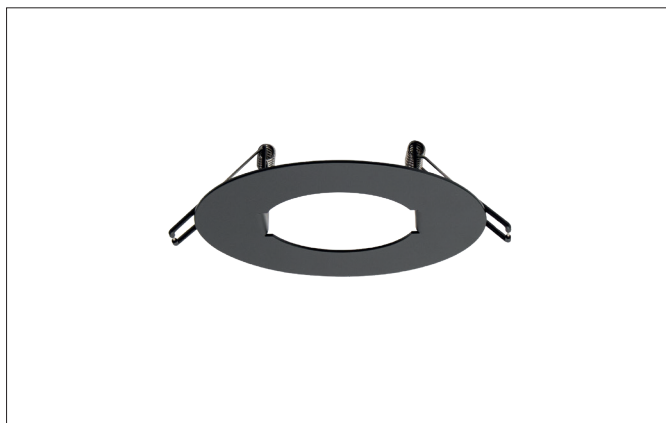


BREENA Reducing ring D 130 mm, for luminaire cut-out size 68 mm

Article no. 81205080

Light.
For Generations.



Tender
Reducing ring D 130 mm, for luminaire cut-out size 68 mm, black matt.Reducing ring with inner hole 68 mm. Diameter: 130 mm. The final installation depth depends on the depends on the installed luminaire.Installation depth without light: 35 mm.Maximum ceiling thickness: 24 mm, height: 1.5 mm.Can be used for on-site opening of 110 mm. Material: Steel, .

Article data	
Article no.	81205080
GTIN	4251433999362
Series name	BREENA
Short description	Reducing ring D 130 mm, for luminaire cut-out size 68 mm
Material	Steel
Type of surface	Matt
Weight	0.134 kg
stamp	UKCA

Packing data	
Gross weight	0.199 kg
Length of packaging	155 mm
Packaging width	155 mm
Packaging height	50 mm
Disposal at end of life	This product must not be disposed of with household waste. You are obliged, to dispose of such electrical waste separately. By disposing of electrical waste and other old or defective electronics separately, you support recycling or other forms of re-use. In that way you help to take care and to avoid that harmful substances get into the environment.