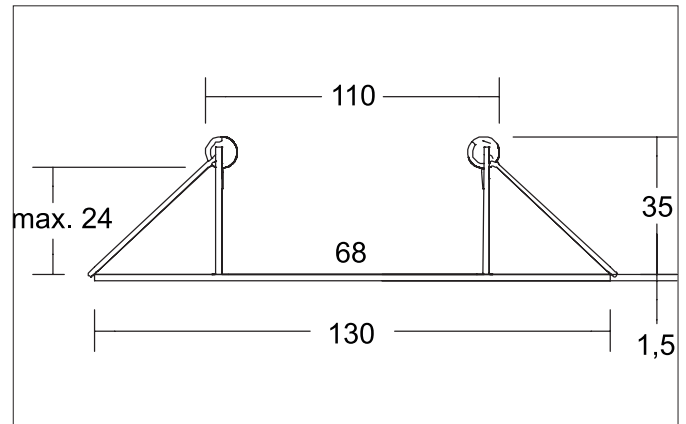


ITANSA-R Reducing ring D = 130 mm, for luminaire cut-out dimension = 68 mm

Article no. 81205420


Tender

Reducing ring D = 130 mm, for luminaire cut-out dimension = 68 mm, stainless steel matt. Reduziererring mit Innenloch 68 mm. Durchmesser: 130 mm. Die letztendliche Einbautiefe richtet sich nach der eingebauten Leuchte. Einbautiefe ohne Leuchte: 35 mm. Maximale Deckenstärke: 24 mm, Höhe: 1,5 mm. Verwendbar für bauseits vorliegende Öffnung von 110 mm. Material: Stainless steel V4A.

Article data	
Article no.	81205420
GTIN	4251433999423
Series name	ITANSA-R
Short description	Reducing ring D = 130 mm, for luminaire cut-out dimension = 68 mm
Material	Stainless steel V4A
Type of surface	Matt
Weight	0.134 kg
Conformance	CE, UKCA

Packing data	
Gross weight	0.199 kg
Length of packaging	155 mm
Packaging width	155 mm
Packaging height	50 mm
Disposal at end of life	This product must not be disposed of with household waste. You are obliged, to dispose of such electrical waste separately. By disposing of electrical waste and other old or defective electronics separately, you support recycling or other forms of re-use. In that way you help to take care and to avoid that harmful substances get into the environment.