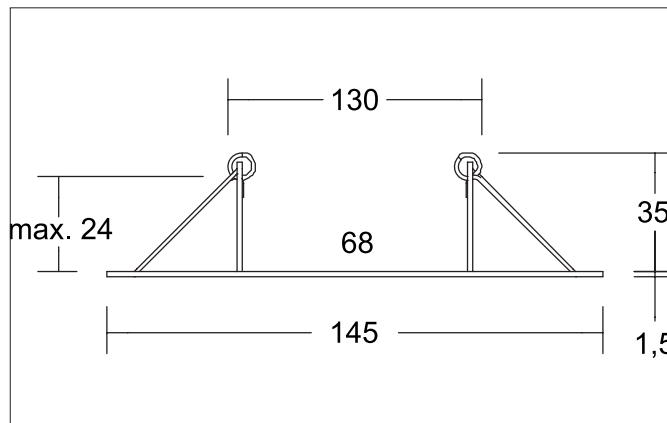


**ITANSA-R Reducing ring D = 145 mm, for luminaire cut-out dimension = 68 mm**

Article no. 81206420


**Tender**

Reducing ring D = 145 mm, for luminaire cut-out dimension = 68 mm, stainless steel matt. Reduzierring mit Innenloch 68 mm. Durchmesser: 145 mm. Die letztendliche Einbautiefe richtet sich nach der eingebauten Leuchte. Einbautiefe ohne Leuchte: 35 mm. Maximale Deckenstärke: 24 mm, Höhe: 1,5 mm. Verwendbar für bauseits vorliegende Öffnung von 130 mm. Material: Stainless steel V4A.

**Article data**

Article no.	81206420
GTIN	4251433999515
Series name	ITANSA-R
Short description	Reducing ring D = 145 mm, for luminaire cut-out dimension = 68 mm
Material	Stainless steel V4A
Type of surface	Matt
Weight	0.174 kg
Conformance	CE, UKCA

**Packing data**

Gross weight	0.244 kg
Length of packaging	175 mm
Packaging width	175 mm
Packaging height	50 mm
Disposal at end of life	This product must not be disposed of with household waste. You are obliged, to dispose of such electrical waste separately. By disposing of electrical waste and other old or defective electronics separately, you support recycling or other forms of re-use. In that way you help to take care and to avoid that harmful substances get into the environment.