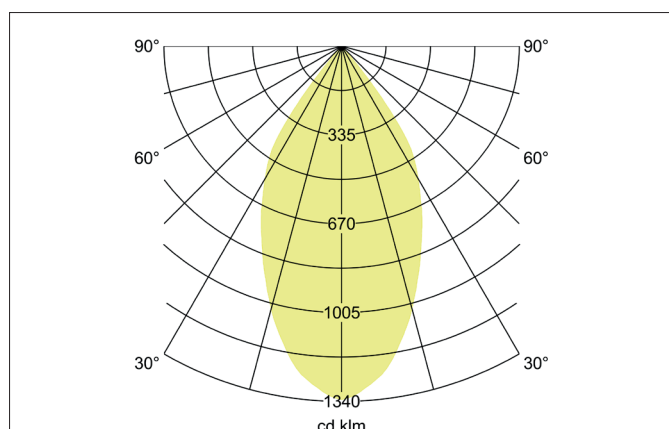
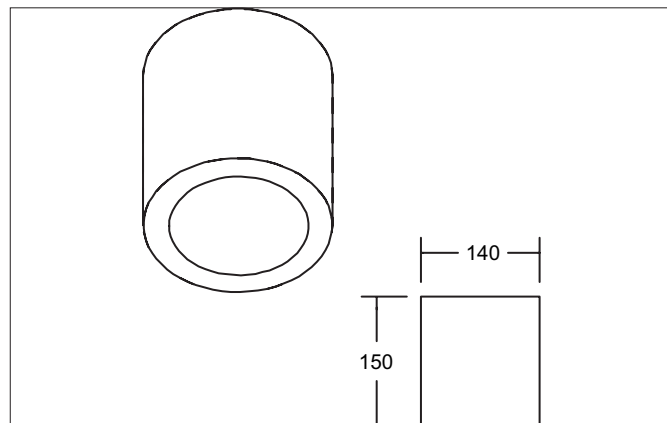


KODIAK MICRO LED surface-mounted downlight

Article no. 12594174

Light.
For Generations.**Tender**

LED surface-mounted downlight, Round. Luminaire diameter 140.0 mm, Height 150.0 mm Weight 1.091 kg, Reflector silver with rotational-symmetrical, deep, wide distributed light intensity. Luminous flux 2.404 lm, UGR < 20, Power 1 x 20 W, Light colour neutral white, Correlated color temperature (CCT) 4.000 K, Colour rendering index CRI > 90, Rated life time L70/B10 at 25 °C: 50.000 h, Rated life time L70/B50 at 25 °C: 50.000 h, Housing material: Aluminium / Plastic, Colour: White structure, Permissible ambient temperature (ta): -20 °C - +25 °C, Protection class (EN 61140): I, Degree of protection (DIN EN 60529): IP20, .With electronic driver, on/off switchable.

Product Benefits

- Round surface-mounted downlight made of solid aluminum with generously dimensioned heat management.
- High-quality reflector.
- Simple installation.
- CRI > 90, UGR < 20.
- Available in switchable and DALI dimmable versions.

KODIAK MICRO LED surface-mounted downlight

Article no. 12594174

Light.
For Generations.

| Article data | |
|-------------------|---|
| Article no. | 12594174 |
| GTIN | 4251433999607 |
| Series name | KODIAK MICRO |
| Short description | LED surface-mounted downlight |
| Material | Aluminium / Plastic |
| Colour | White |
| Type of surface | Structure |
| Shape | Round |
| Outer diameter | 140 mm |
| Hight | 150 mm |
| Scope of delivery | incl. converter for connection to 230 V mains voltage |
| Weight | 1.091 kg |

| Lighting technology | |
|---------------------|-----------|
| Colour temperature | 4.000 K |
| Light colour | White |
| Light output | Direct |
| Luminous flux | 2,404 lm |
| System efficiency | 120 lm/W |
| Colour rendering | CRI > 90 |
| Reflector | Faceted |
| Reflector colour | silver |
| Beam angle | 70° |
| Glare evaluation | UGR < 20 |
| Light sharing | Symmetric |

| Operating technology of the luminaire | |
|---------------------------------------|--|
| System output | 20 W |
| Voltage type | AC |
| AC nominal voltage max | 230 V |
| Frequency max | 50 Hz |
| Lamp | LED |
| Protection class | I |
| Degree of protection | IP20 |
| Dimmable | No |
| Control | on/off |
| Bulb change possible | The light source of this luminaire may only be replaced by the manufacturer or a service technician commissioned by him or a similarly qualified person. |
| Rated life time L70/B50 at 25 °C | 50,000 h |

| Mounting technology | |
|-----------------------|------------------|
| Mounting method | Surface mounting |
| Place of installation | Ceiling-mounted |
| Adjustability | Not adjustable |
| stamp | UKCA |
| Material cover | Without cover |

| Packing data | |
|-------------------------|---|
| Gross weight | 1.245 kg |
| Length of packaging | 175 mm |
| Packaging width | 170 mm |
| Packaging hight | 145 mm |
| Disposal at end of life | This product must not be disposed of with household waste. You are obliged, to dispose of such electrical waste separately. By disposing of electrical waste and other old or defective electronics separately, you support recycling or other forms of re-use. In that way you help to take care and to avoid that harmful substances get into the environment. |

KODIAK MICRO LED surface-mounted downlight
Article no. 12594174

Light.
For Generations.