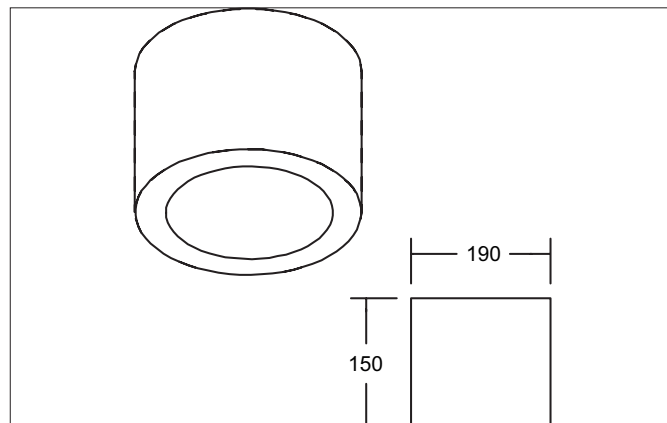


**KODIAK MINI LED-Anbaudownlight, DALI dimmbar**

Article no. 12595173DA

Light.  
For Generations.**Tender**

LED-Anbaudownlight, DALI dimmbar, Round. Luminaire diameter 190.0 mm, Height 150.0 mm Reflector silver with rotationssymmetrical, deep, wide distributed light intensity. Luminous flux 3.618 lm, UGR < 20, Power 1 x 31 W, Light colour warm white, Correlated color temperature (CCT) 3.000 K, Colour rendering index CRI > 90, Rated life time L70/B10 at 25 °C: 50.000 h, Rated life time L70/B50 at 25 °C: 50.000 h, Housing material: Aluminium / Plastic, Colour: White structure, Permissible ambient temperature (ta): -20 °C - +25 °C, Protection class (EN 61140): I, Degree of protection (DIN EN 60529): IP20, .With electronic driver, DALI-2 dimmable.

**Product Benefits**

- Rundes Anbaudownlight aus massivem Aluminium mit großzügig dimensioniertem Wärmemanagement.
- Hochwertiger Reflektor.
- Einfache Montage.
- CRI > 90, UGR < 20.
- In den Ausführungen schaltbar und DALI dimmbar erhältlich.

**KODIAK MINI LED-Anbaudownlight, DALI dimmbar**

Article no. 12595173DA

Light.  
For Generations.

Article data	
Article no.	12595173DA
GTIN	4251433998990
Series name	KODIAK MINI
Short description	LED-Anbaudownlight, DALI dimmbar
Material	Aluminium / Plastic
Colour	White
Type of surface	Structure
Shape	Round
Outer diameter	190 mm
Hight	150 mm
Scope of delivery	inkl. Konverter zum Anschluss an 230 V-Netzspannung, DALI-2 dimmbar
Weight	N.N.

Lighting technology	
Colour temperature	3.000 K
Light colour	White
Light output	Direct
Luminous flux	3,618 lm
System efficiency	117 lm/W
Colour rendering	CRI > 90
Reflector	Faceted
Reflector colour	silver
Beam angle	70°
Glare evaluation	UGR < 20
Light sharing	Symmetric

Operating technology of the luminaire	
System output	31 W
Voltage type	AC
AC nominal voltage max	230 V
Frequenz max.	50 Hz
Lamp	LED
Protection class	I
Degree of protection	IP20
Dimmable	Yes
Control	DALI-2
Bulb change possible	The light source of this luminaire may only be replaced by the manufacturer or a service technician commissioned by him or a similarly qualified person.
Rated life time L70/B50 at 25 °C	50,000 h

Mounting technology	
Mounting method	Surface mounting
Place of installation	Ceiling-mounted
Adjustability	Not adjustable
stamp	UKCA
Material cover	Without cover

Packing data	
Gross weight	N.N.
Length of packaging	N.N.
Packaging width	N.N.
Packaging hight	N.N.
Disposal at end of life	This product must not be disposed of with household waste. You are obliged, to dispose of such electrical waste separately. By disposing of electrical waste and other old or defective electronics separately, you support recycling or other forms of re-use. In that way you help to take care and to avoid that harmful substances get into the environment.

**KODIAK MINI LED-Anbaudownlight, DALI dimmbar**  
Article no. 12595173DA

Light.  
For Generations.